

H3 Wired Handheld Tech-Note

The H3 Wired Handheld HMI is the compact and ergonomic handheld with small dimensions and weight. Its integrated devices (Keyboard, potentiometers, handwheel) can be fully programmed assuring a quick integration with your automation project. H3 includes an emergency stop button and a three-positions enabling switch. H3 is available either with Ethernet or serial interface.



- 5" TFT color display
- 480x272 pixel resolution, 64K colors
- Resistive touchscreen
- Ethernet connection or serial connection
- USB Host port
- Emergency Stop button and Enabling Switch
- 2 potentiometers
- 1 optional handwheel
- 19 user-programmable selection keys
- Hanging magnets

Highlights

The H3 handheld has been designed to run the JMobile software.

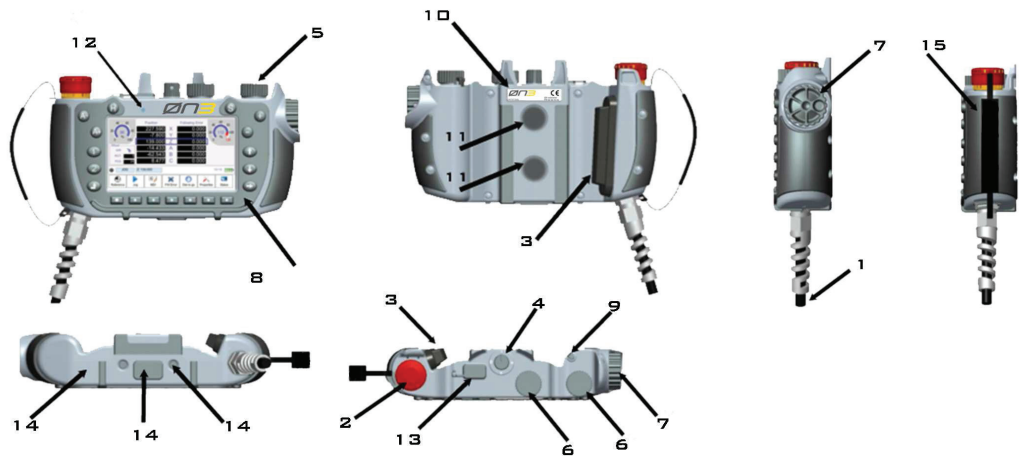
- JMobile runtime included. Full compatibility with JMobile Studio.
- Full vector graphic support. Native support of SVG graphic objects. Transparency and alpha blending.
- Full object dynamics: control visibility and transparency, move, resize, rotate objects on screen. Change properties of basic and complex objects.
- TrueType fonts
- Multilanguage applications. Easily create and manage your applications in multiple languages to meet global requirements.
- Rich set of state-of-the-art HMI features: graphical presentation of data presentation, data acquisition, alarm handling, scheduler and timed actions, recipe data storage, users and passwords, e-mail and RSS feeds, rotating menus.
- Indexed addressing and cross-reference viewer.
- Wide selection of communication drivers for factory and building automation.
- Multiple drivers communication capability.
- Remote monitoring and control. Client-Server functionality. Mobile clients supported.
- Remote maintenance and support with VNC-based functionality.
- Off-line and on-line simulation of the HMI application with JMobile Studio.
- Powerful scripting language for automating HMI applications. Includes script debugger.
- Create and print reports to printers and to file.
- Page templates to simplify application design.
- Rich gallery of symbols and objects.
- MediaPlayer widget
- IP Network camera widget
- Optional CoDeSys SoftPLC
- Optional connection box for fast installation and connection.

H3 - Technical Data



| System Resources | |
|---------------------------------|---|
| Display - Colors | TFT LED - 64K |
| Resolution | 480x272 |
| Brightness | 300 Cd/m ² typ. |
| Dimming | to 0% |
| Touchscreen | Resistive |
| CPU | ARM Cortex-A8 - 600 MHz |
| Operating System | Microsoft Windows CE 6.0 |
| Flash | 128 MB |
| RAM | 256 MB |
| Real Time Clock, RTC Back-up | Yes |
| Handwheel | Yes (option) |
| Potentiometer | 2 |
| State Selector Switch | 16 positions |
| Emergency stop | Yes, Hardwired |
| Enabling Switch | Hardwired, 3-positions |
| Interface | |
| Ethernet | 10/100 Mbit (selected models) |
| USB port | 1 Host V2.0 |
| Serial | 1 RS-232, RS-422, RS-485 (selected models) |
| Ratings | |
| Power supply (charging station) | 24 Vdc (18 to 30 Vdc) |
| Current Consumption | 0.25 A at 24 Vdc (max.) |
| Input Protection | Automatic |
| Battery | Rechargeable Lithium battery, not user-replaceable |
| Environment Conditions | |
| Operating Temp | +5 to +45°C |
| Storage Temp | -20 to +70°C |
| Operating / Storage Humidity | 5-95% RH, non condensing |
| Protection Class | IP64 |
| Dimensions and Weights | |
| Faceplate LxH | 220x130 mm |
| Depth D+T | 50 mm |
| Weight | Approx 0.8 Kg, (not including cable) |
| Approvals | |
| CE | Emission EN 61000-6-4 Immunity EN 61000-6-2 for installation in industrial environments |
| UL | cULus: UL508 (only +EP3H3REJ2H0YE2, +EP3H3REJ4H0YE2) |
| RCM | Yes |

- 1 Cable
- 2 Emergency stop push-button
- 3 Enabling device
- 4 State Selector
- 5 Screen
- 6 Potentiometers
- 7 Handwheel (Optional)
- 8 Membrane Keypad
- 9 Touchscreen pen
- 10 Sticker
- 11 Mounting magnets
- 12 Status LED's
- 13 Rubber cup for USB
- 14 Protecting covers
- 15 Hand Grip



Ordering Information

| Model | Part Number | Description |
|-------|-----------------|---|
| H3 | +EP3H3REJ200YE1 | HMI H3 0N3 WIRED 10 m ETHERNET JM |
| H3 | +EP3H3REJ400YE1 | HMI H3 0N3 WIRED 20 m ETHERNET JM |
| H3 | +EP3H3REJ2H0YE1 | HMI H3 0N3 WIRED 10 m ETH+HANDWHEEL JM |
| H3 | +EP3H3REJ4H0YE1 | HMI H3 0N3 WIRED 20 m ETH+HANDWHEEL JM |
| H3 | +EP3H3RSJ200YE1 | HMI H3 0N3 WIRED 10 m SERIAL JM |
| H3 | +EP3H3RSJ2H0YE1 | HMI H3 0N3 WIRED 10 m SERIAL+HANDWHEEL JM |
| H3 | +EP3H3REJ2H0YE2 | HMI H3 0N3 10 m ETH+HANDWHEEL CIRCULAR CONNECTOR JM - UL APPROVAL |
| H3 | +EP3H3REJ4H0YE2 | HMI H3 0N3 20 m ETH+HANDWHEEL CIRCULAR CONNECTOR JM - UL APPROVAL |
| H3 | +EP3H00000X0YA2 | CONNECTION BOX H3 CIRCULAR CONNECTOR - UL APPROVAL |
| H3 | +EP3H00000B0YA0 | STANDBY STATION H3 - HOLDER FOR H3 |