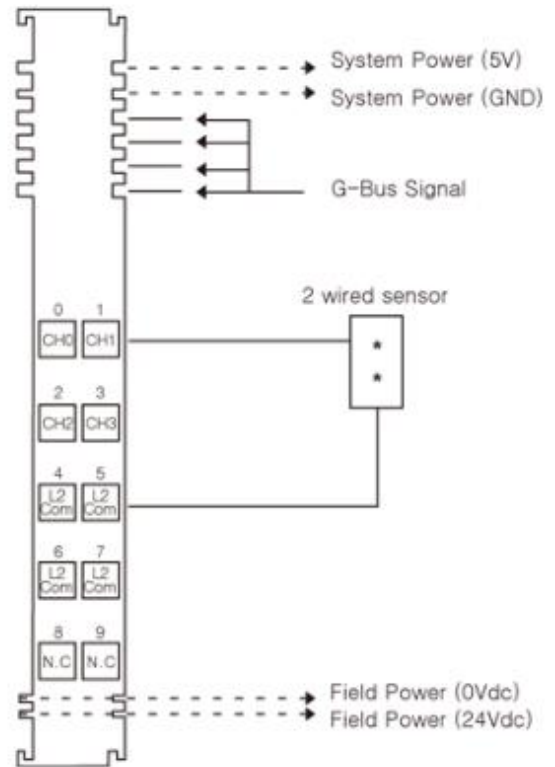
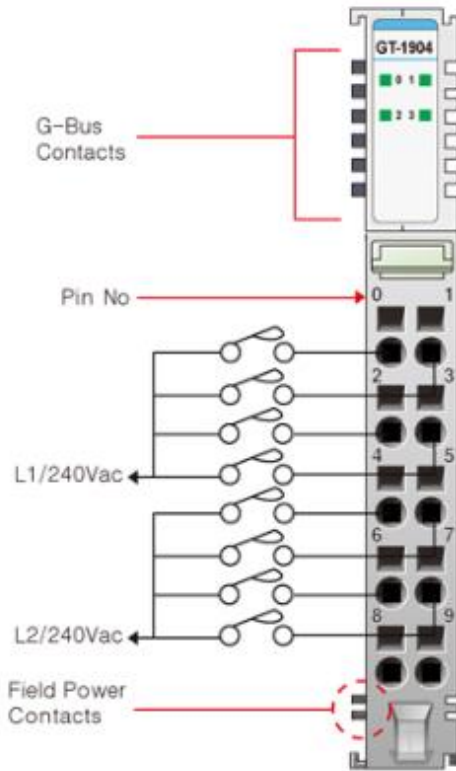


GT-1904

Digital Input, 4 Points, AC Type, 220VAC, 10 RTB



GT-1904 Input Specification

Inputs Per Module:	4 Points Sink type
Indicators:	4 Green input state
ON-state Voltage:	240Vac nominal Min. 170Vac ~ Max. 264Vac
ON-state Current:	10mA maximum/point @ 240Vac
Minimum OFF- state Voltage:	Max. 115Vac
Input Signal Delay OFF to ON:	30mS Max @ 240Vac
ON to OFF:	140mS Max @ 240Vac
Nominal Input Impedance:	26.5 KΩ Typical
Frequency Range:	60Hz
Common Type	4 Points / 4 Common (L2/N)

General Specification

Power Dissipation:	Max. 30mA @ 5Vdc
Isolation I/O to Logic:	Photocoupler Isolation
Field Power:	Field Power passes through to the next module.
Supply Voltage:	24Vdc
Voltage Range:	15 ~ 32Vdc
(AC Power Not Used)	
Wiring:	I /O Cable Max. 2.0mm ² (AWG 14)
Weight:	57g
Module Size:	12mm x 99mm x 70mm

Pin No.	Description
0	Input Channel 0
1	Input Channel 1
2	Input Channel 2
3	Input Channel 3
4	Input Channel Common (L2 /N)
5	Input Channel Common (L2 /N)
6	Input Channel Common (L2 /N)
7	Input Channel Common (L2 /N)
8	N.C
9	N.C