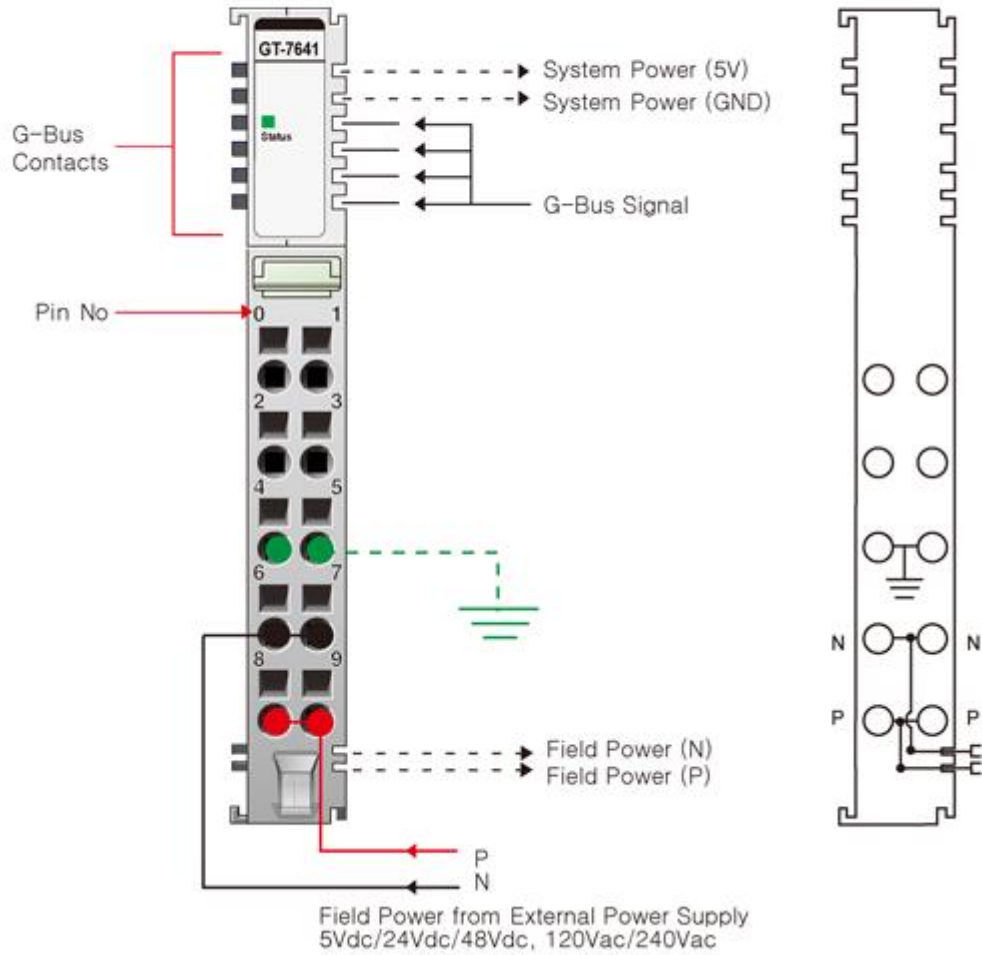


## GT-7641

Field Power Distribution, ID Type, 24VDC, 10 RTB



### GT-7641 Specification

Field Power Voltage	Norminal 24Vdc
Field Power Contacts Current	Max. 10A
Indicator	Operating Temperature
	-40°C~50°C: Max. 10A
	50°C~70°C: Max. 7A
	1 Green LEDs
	1 Green Internal Bus State

## General specification

System Power Dissipation	Max. 30mA @ 5Vdc
Wiring	I/O Cable Max. 2.0mm <sup>2</sup> (AWG 14)
Weight	70g Max.
Module Size	12mm x 99mm x 70mm
Pin No.	Description
0	NC
1	NC
2	NC
3	NC
4	F.G
5	F.G
6	Field Power, Arbitrary (N)
7	Field Power, Arbitrary (N)
8	Field Power, Arbitrary (P)
9	Field Power, Arbitrary (P)