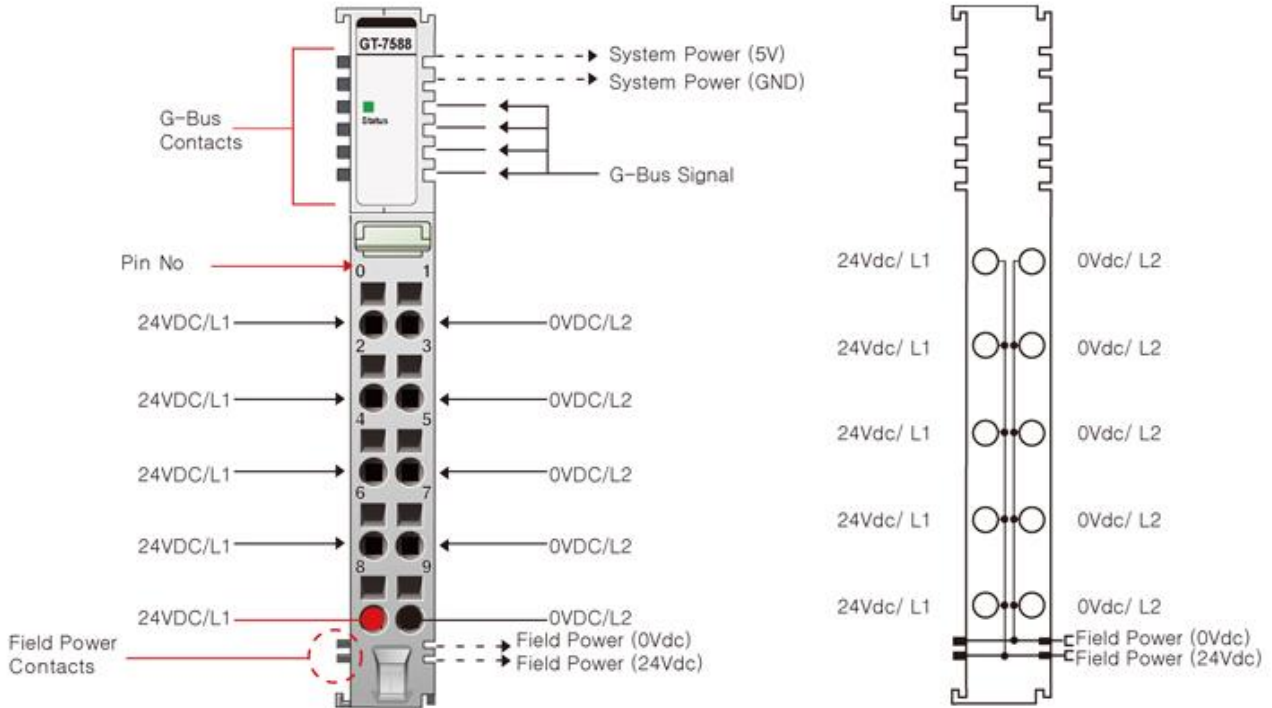


GT-7588

Potential Distributor, ID Type, 5channels, 24VDC / 5channels, 0VDC, 10 RTB



GT-7588 Specification

Field Power Voltage	Normal 24Vdc
Field Power Contacts Current	Max. 10A
Operating Temperature	-40°C~50°C: Max. 10A
	50°C~70°C: Max. 7A
Indicator	1 Green LEDs
	1 Green Internal Bus State

General specification

System Power Dissipation	Max. 30mA @ 5Vdc
Wiring	I/O Cable Max. 2.0mm ² (AWG 14)
Weight	70g Max.
Module Size	12mm x 99mm x 70mm

Pin No.	Description
0	24VDC/L1
1	0VDC/L2
2	24VDC/L1
3	0VDC/L2
4	24VDC/L1
5	0VDC/L2
6	24VDC/L1
7	0VDC/L2
8	24VDC/L1
9	0VDC/L2