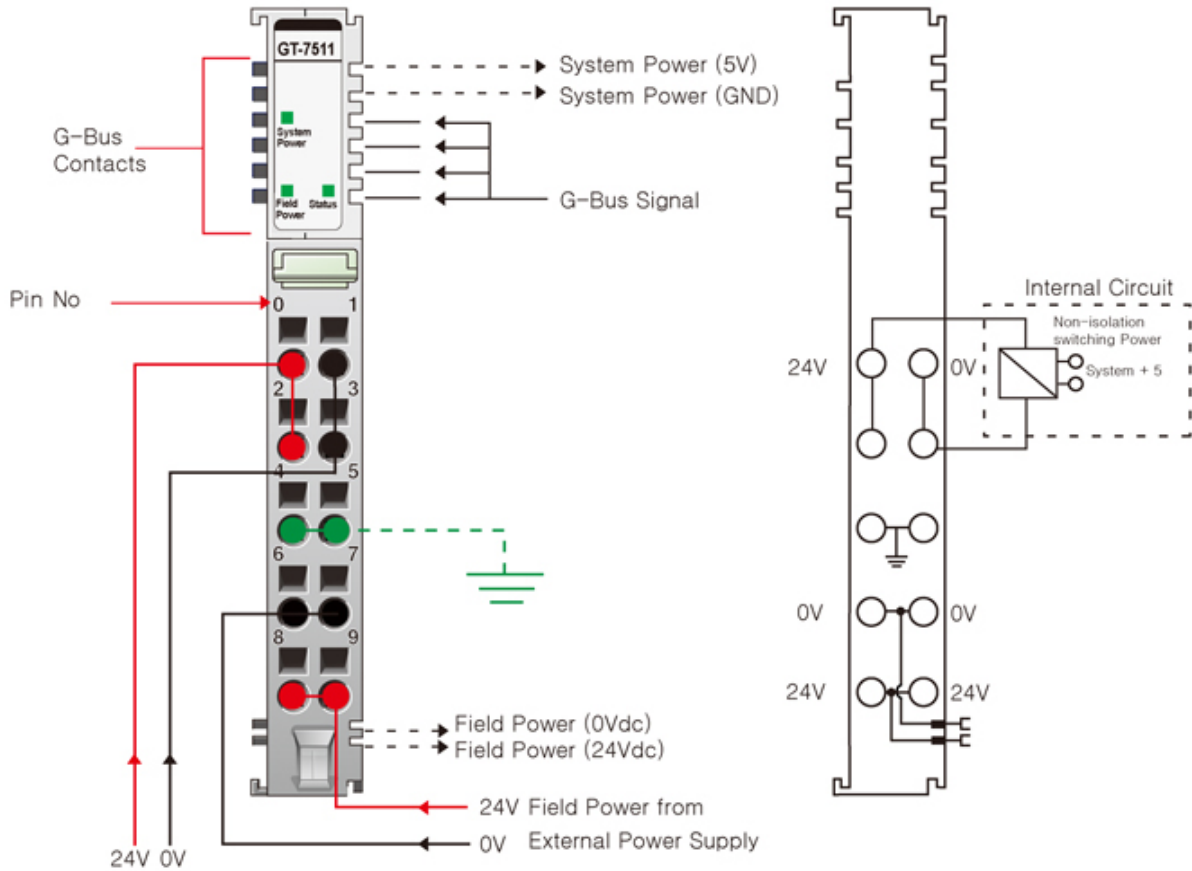


## GT-7511

Expansion Power, ID Type, System/Field Power, input 24VDC, output 5VDC, 1A, 10 RTB



### GT-7511 Input Specification

System Input Voltage range	15Vdc to 32Vdc
System Power Input Voltage	Normal 24Vdc
Indicators	1 Green System Power state, 1 Green Field Power state, 1 Green G-Bus state
Field Power Input Voltage	Normal 24Vdc ( $\pm 20\%$ )
Field Power Contacts Current	Max. 10A
Operating Temperature	-40°C~50°C: Max. 10A 50°C~70°C: Max. 7A
G-Bus Output Voltage	Max. 5Vdc, 1A *

### General specification

System Power Dissipation	Max. 20mA @ 24Vdc
Wiring	I/O Cable Max. 2.0mm <sup>2</sup> (AWG 14)
Weight	59g
Module Size	12mm x 99mm x 70mm
Pin No.	Description
0	System Power, 24V
1	System Power, Ground
2	System Power, 24V
3	System Power, Ground
4	F.G
5	F.G
6	Field Power, Ground
7	Field Power, Ground
8	Field Power, 24V
9	Field Power, 24V

