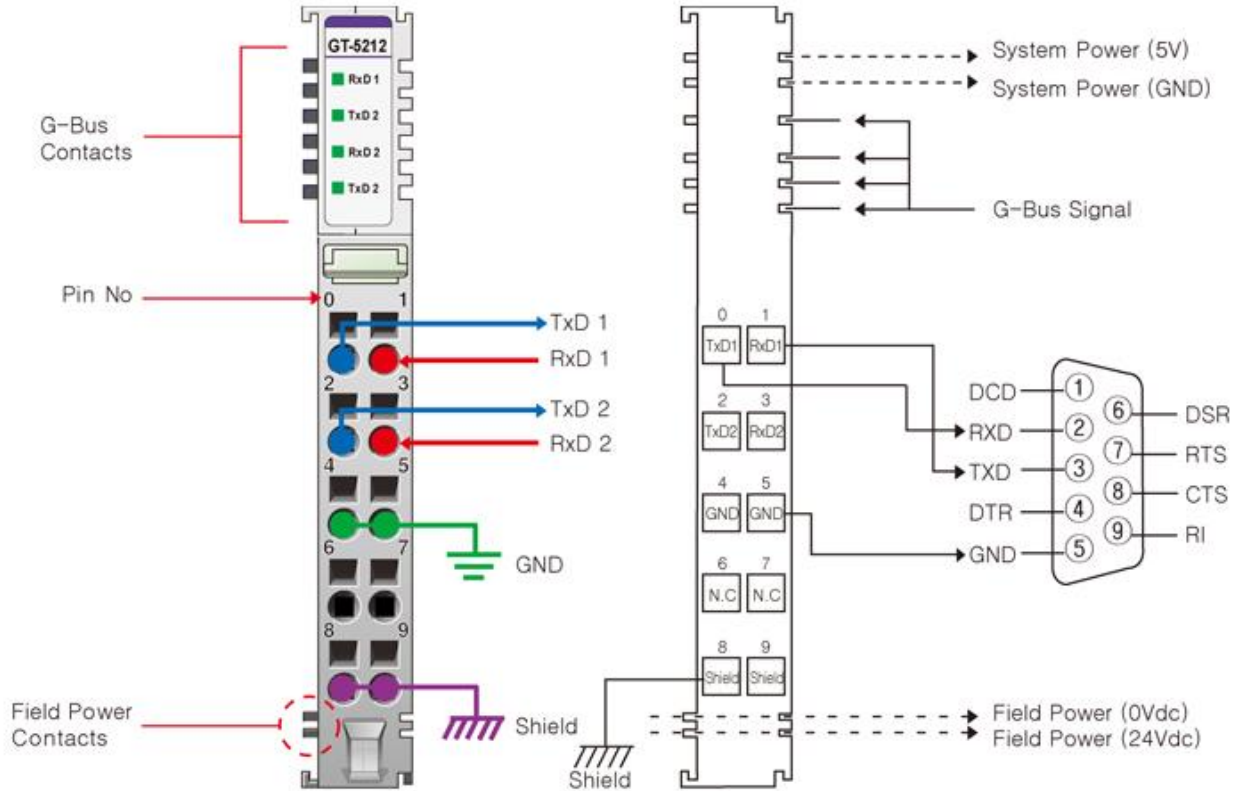


## GT-5212

2 Channels, RS-232 Serial Interface, 10 RTB



### GT-5212 Serial Specification

Transfer Channels	TxD, RxD, Full Duplex
Transfer Rate	1200bps~115200bps
Data Bit	8bit
Parity Bit	None, Odd, Even (*Default: None)
Stop Bit	1bit, 2bit (*Default: 1bit)
Flow Control	-
Bit Distortion	<1.6%
Connection	10 RTB
Cable Type	Shield Cable Recommended
Cable Length	Max.15m
Low Signal Voltage	-18V ~ -3V
High Signal Voltage	3V ~ 18V
Data Buffer	IO User data 12 bytes

	Control/Status 2 bytes
	Rx/Tx Length 2 bytes
RXD Buffer	1024bytes
TXD Buffer	1024bytes
Line Impedance	-
Input Image Size	16 bytes @ Default_2 channels
Output Image Size	16 bytes @ Default_2 channels

### General specification

Power dissipation	Max. 85mA @ 5.0Vdc
Isolation	I/O to Logic: Isolation Logic to Field power: Isolation (Not used) Logic to System Power: Non-isolation
Relative Humidity	5% ~ 90% Non-condensing
Field Power	Not used (Field Power is bypass)
Wiring	I/O Cable Max. 2.0mm <sup>2</sup> (AWG 14)
Weight	57g
Module Size	12mm x 99mm x 70mm
Pin No.	Description
0	TxD
1	RxD
2	RTS
3	CTS
4	Common (GND)
5	Common (GND)
6	N.C
7	N.C
8	Shield
9	Shield