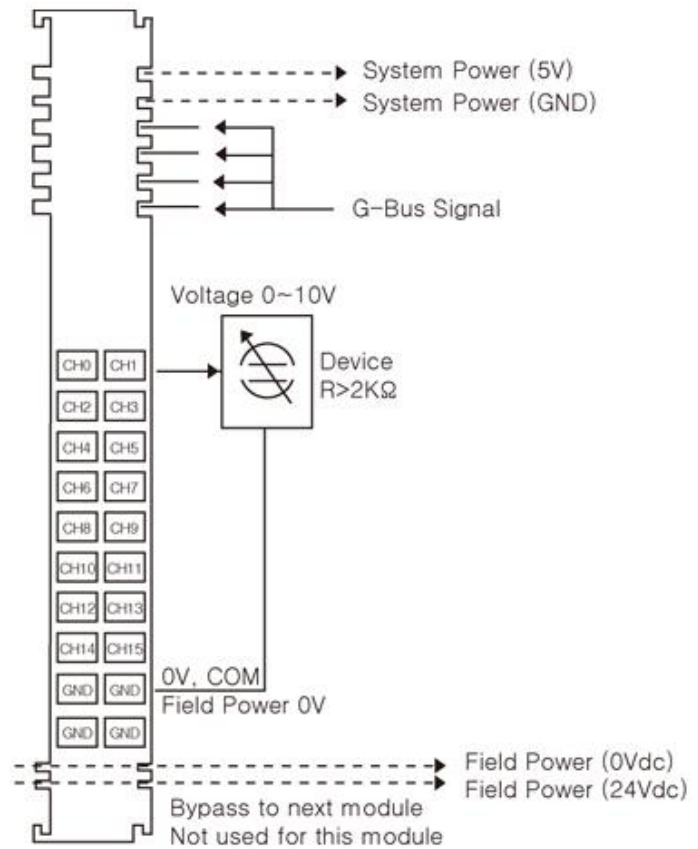


GT-442F

16ch Voltage Output



GT-442F Output Specification

Outputs per module	16 Channels single ended
Indicators (Logic side)	1 Green G-Bus status
Resolution in Ranges	12 bits: 2.44mV/Bit
Output Range	0 ~ 10Vdc
Data Format	16bits Integer (2' compliment)
Module Error	±0.1% Full Scale @ 25°C ±0.3% Full Scale @ -40°C, 70°C
Load Resistance	Min. 2KΩ
Conversion Time	All Channel<400us
Diagnostic	Diagnostic Field Power Off: LED Blinking
Calibration	Not Required
Common Type	4 Common, Field Power 0V is Common (AGND)

General specification

Power dissipation	Max. 30mA @ 5.0Vdc
Isolation	I/O to Logic: Isolation Field power: Non-Isolation
Field Power	Supply Voltage: 24Vdc nominal Voltage Range: 18~32Vdc Power Dissipation: Max. 120mA @ 24Vdc, Load(2K)
Wiring	I/O Cable Max. 2.0mm ² (AWG 14)
Weight	58g
Module Size	12mm x 99mm x 70mm
Pin No.	Description
0	Analog Output Channel 0
1	Analog Output Channel 1
2	Analog Output Channel 2
3	Analog Output Channel 3
4	Analog Output Channel 4
5	Analog Output Channel 5
6	Analog Output Channel 6
7	Analog Output Channel 7
8	Analog Output Channel 8
9	Analog Output Channel 9
10	Analog Output Channel 10
11	Analog Output Channel 11
12	Analog Output Channel 12
13	Analog Output Channel 13
14	Analog Output Channel 14
15	Analog Output Channel 15
16	Output Channel Common (AGND)
17	Output Channel Common (AGND)
18	Output Channel Common (AGND)
19	Output Channel Common (AGND)