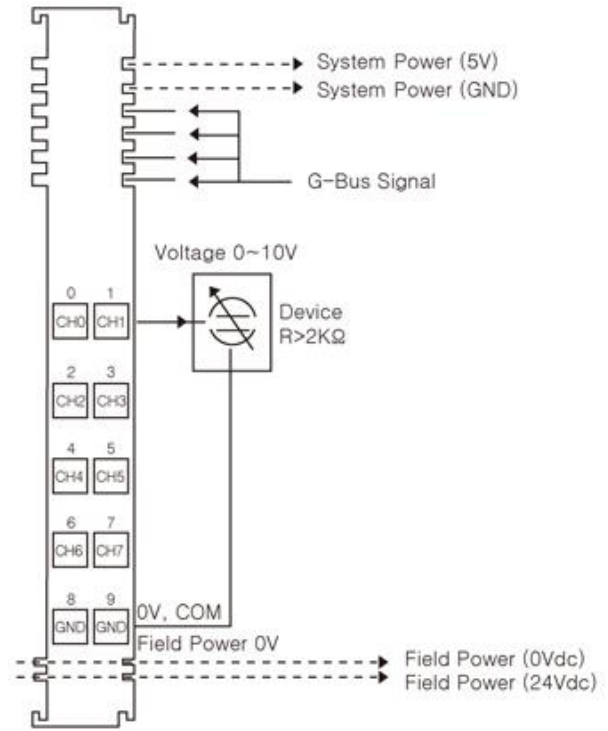
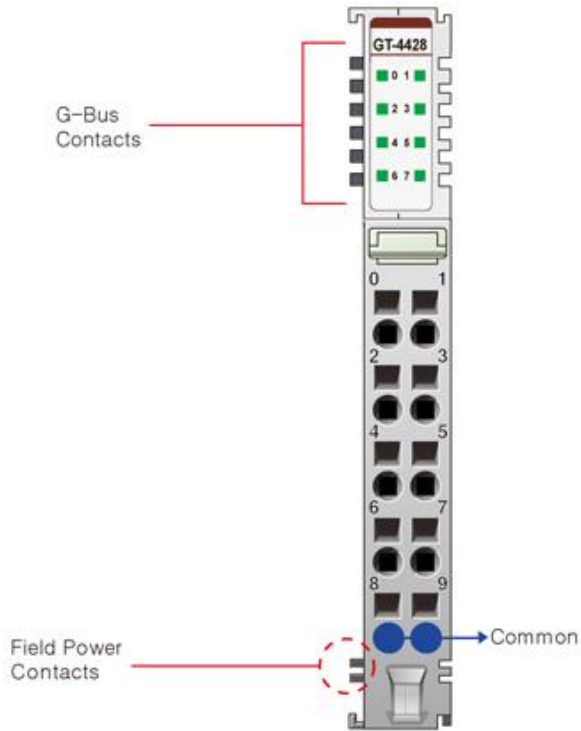


GT- 4428

Analog Output, Voltage(single ended), 8 Channels, 0~10VDC, 12 Bits, 10 RTB



GT- 4428 Output Specification

Output Per Module

8 Channels Single Ended

Indicators (Logic side)

8 Green Output status

Resolution in Ranges

12 bits :2.44mV/Bit

Output Current Range

0~10V

Data Format

16bits Integer (2¹ compliment)

Module Error

±0.1% Full Scale @ 25°C

±0.3% Full Scale @ -40°C, 70°C

Load Resistance

Min. 2KΩ

Conversion Time

Max. 250usec / All channel

Diagnostic

Field Power Off: LED Blinking

Field Power On: No Output LED Off

Field Power On: Output LED On

Calibration Not Required
Common Type 2 Common, Field Power 0V is Common (AGND)

General Specification

Power Dissipation Max. 30mA @ 5.0Vdc
Isolation I/O to Logic: Isolation
Field power: Non-Isolation
Field power Supply Voltage: 24Vdc nominal
Voltage Range: 18~32Vdc
Power Dissipation: Max. 70mA @ 24Vdc
Wiring I/O Cable Max. 2.0mm² (AWG 14)
Weight 58g
Module Size 12mm x 99mm x 70mm
Pin No. Description
0 Analog Output Channel 0
1 Analog Output Channel 1
2 Analog Output Channel 2
3 Analog Output Channel 3
4 Analog Output Channel 4
5 Analog Output Channel 5
6 Analog Output Channel 6
7 Analog Output Channel 7
8 Output Channel Common (AGND)
9 Output Channel Common (AGND)