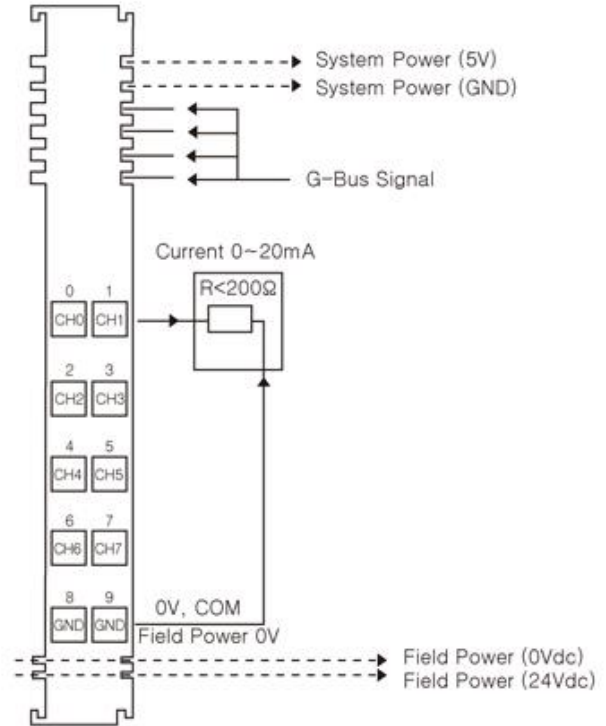
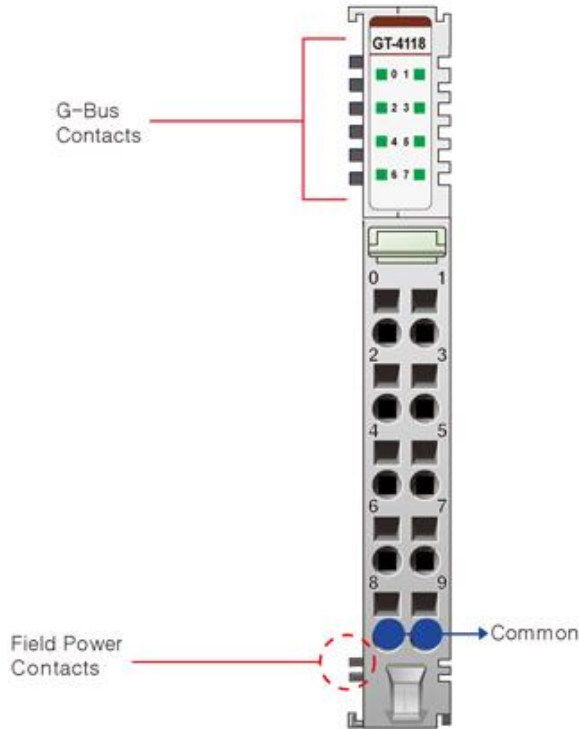


GT-4118

Analog Output, Current(single ended), 8 Channels, 0~20mA, 12 Bits, 10 RTB



GT-4118 Output Specification

Output Per Module

8 Channels Single Ended

Indicators (Logic side)

8 Green Output status

Resolution in Ranges

12Bits: 4.88uA/Bit

Output Range

0~20mA

Data Format

16bits Integer (2¹ compliment)

Module Error

±0.1% Full Scale @ 25°C

±0.3% Full Scale @ -40°C, 60°C

Load Resistance

Min 100Ω, Max. 250Ω

Dignostic

Field Power Off: LED Blinking

Field Power On: No Output LED Off

Field Power On: Output LED ON

Conversion Time	Max. 250usec / All channel
Calibration	Not Required
Common Type	2 Common, Field Power 0V is Common (AGND)

General Specification

Power Dissipation	Max. 30mA @ 5.0Vdc
Isolation	I/O to Logic: Photocoupler isolation Field power: Non-Isolation
Field power	Supply Voltage: 24Vdc nominal Voltage Range: 18~32Vdc Power Dissipation: Max. 130mA @ 24Vdc
Wiring	I/O Cable Max. 2.0mm ² (AWG 14)
Weight	58g
Module Size	12mm x 99mm x 70mm
Pin No.	Description
0	Analog Output Channel 0
1	Analog Output Channel 1
2	Analog Output Channel 2
3	Analog Output Channel 3
4	Analog Output Channel 4
5	Analog Output Channel 5
6	Analog Output Channel 6
7	Analog Output Channel 7
8	Output Channel Common (AGND)
9	Output Channel Common (AGND)