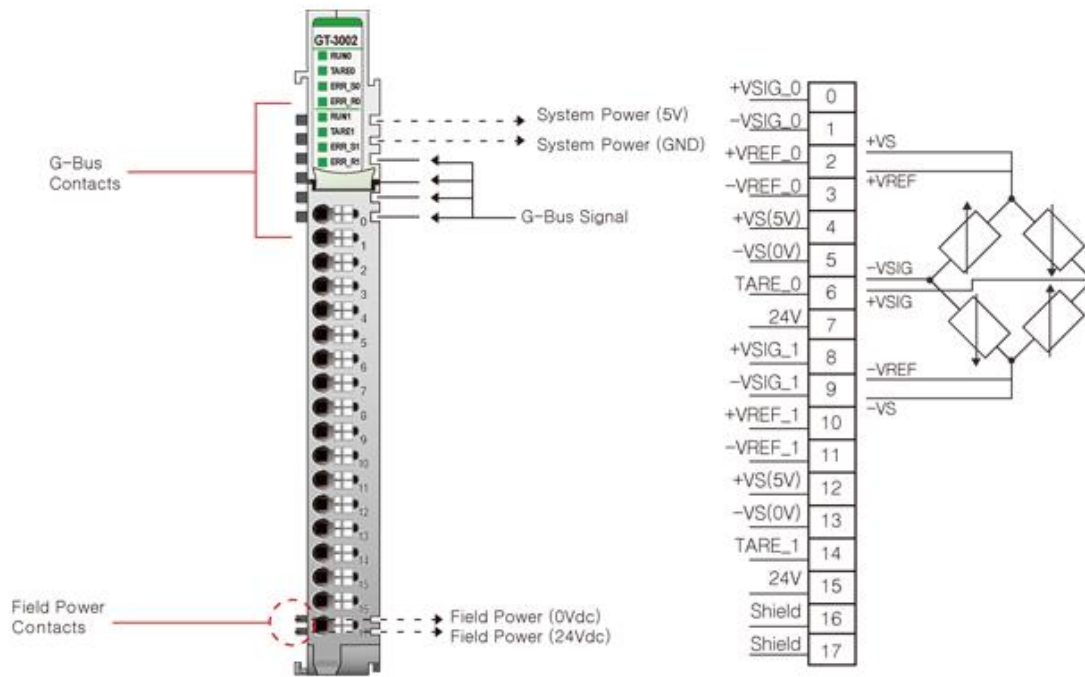


# GT-3002

- 2ch load cell input unit, strain gauge



## GT-3002 (2ch load cell input unit, strain gauge)

Number of channels	2 channels, Strain gauge input
Input type	Resistor bridge, Strain gauge
Indicators	Run 0,1 / Tare 0,1 Error_Sig.voltage 0,1 / Error_Ref.voltage 0,1 8 Green LED
Input range VSEN	-150mV ~ +150mV
Input range VREF	0 ~10V
Interanal resistance	> 1 MΩ (VSEN, VREF)
Measuring error	< ±0.1% Full Scale @ 25°C ambient < ±0.3% Full Scale @ -40 ~ 60°C ambient
Resolution	24bit, 32bit presentation
Conversion time	Max. 500us
Filter	Max. 64 samples filtering, parameterisable
Special features	Open load check, Tare, 5VDC bridge supply

Bridge supply specification (Power)	
Voltage source	5V dc nominal **
Current rate	Max. 30mA
Digital input specification (Tare input)	
On-state voltage	24V dc nominal
Internal resistance	11.4k ohm
General Specification	
Power dissipation	Max. 25mA @ 5Vdc
Isolation	I/O to Logic : Photocoupler Isolation Field power : Non-Isolation
UL field power	Supply Voltage : 24Vdc nominal, Class 2
Field power	Supply Voltage : 24Vdc nominal Voltage Range : 18~30Vdc Power Dissipation : Max. 25mA @ 24Vdc
Wiring	I/O Cable Max. 0.75mm <sup>2</sup> (AWG 18)
Weight	63g
Module Size	12mm x 109mm x 70mm

Pin No.	Signal Description	Signal Description	Pin No.
0	Bridge signal input voltage + #0	Bridge signal input voltage - #0	1
2	Bridge reference input voltage + #0	Bridge reference input voltage + #0	3
4	+5V(bridge supply)	0V(bridge supply)	5
6	Tare input(24V) #0	Field power(24V)	7
8	Bridge signal input voltage + #1	Bridge signal input voltage - #1	9
10	Bridge reference input voltage + #1	Bridge reference input voltage + #1	11
12	+5V(bridge supply)	0V(bridge supply)	13
14	Tare input(24V) #1	Field power(24V)	15
16	Shield	Shield	17