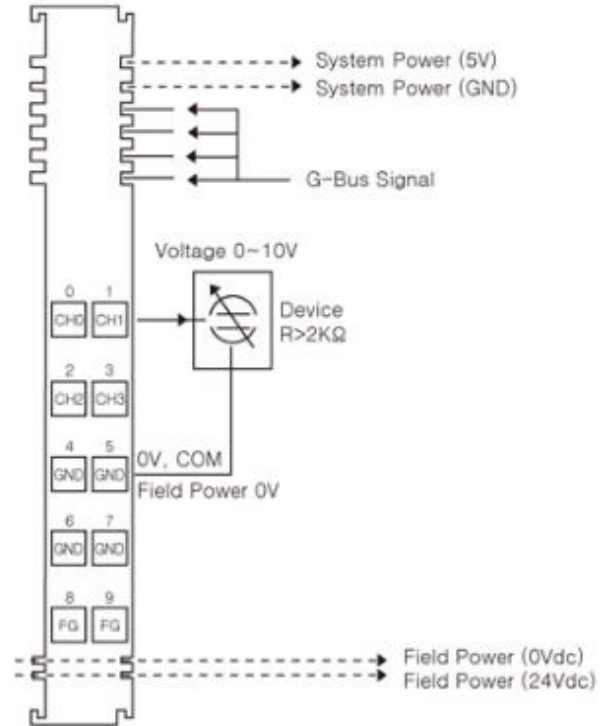
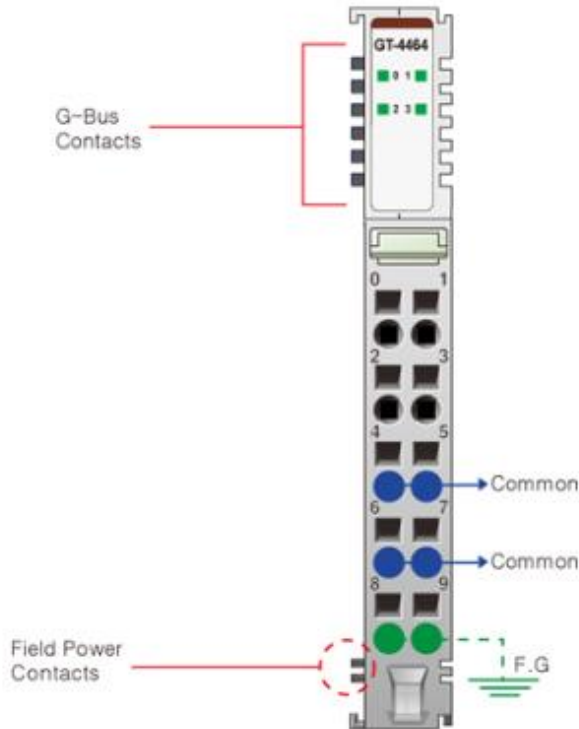


GT-4464

4 Channels, Voltage Output, 0~10V, 16bit



GT-4464 (4 Channels, Voltage Output, 0~10V, 16bit)

Outputs per module:

Indicators (Logic side):

Resolution in Ranges:

Data Format:

Module Error:

Load Resistance:

Conversion Time:

Diagnostic:

4 Channels single ended

4 Green Output status

16 bit (Include Sign)

15 bits: 0.61uA/bit

Output Range 0 ~ 10Vdc

16bits Integer (2's complement)

±0.1% Full Scale @ 25°C

±0.3% Full Scale @ -40°C, 70°C

Min. 2KΩ

Max. 150usec / All channel

Field Power Off: LED Blinking

Field Power On: No Output LED Off

Field Power On: Output LED On

Calibration: Not Required
Common Type: 4 Common, Field Power 0V is Common (AGND)

General Specification

Power dissipation: Max. 30mA @ 5.0Vdc
Isolation: I/O to Logic: Photocoupler Isolation

Field power: Non-Isolation

Field Power: Supply Voltage: 24Vdc nominal
Voltage Range: 18~32Vdc
Power Dissipation: Max. 35mA @ 24Vdc

Wiring: I/O Cable Max. 2.0mm²(AWG 14)

Weight: 58g

Module Size: 12mm x 99mm x 70mm

Pin No.	Signal Description	Signal Description	Pin No.
0	Analog Output Channel 0	Analog Output Channel 1	1
2	Analog Output Channel 2	Analog Output Channel 3	3
4	Output Channel Common (AGND)	Output Channel Common (AGND)	5
6	Output Channel Common (AGND)	Output Channel Common (AGND)	7
8	Field Ground	Field Ground	9