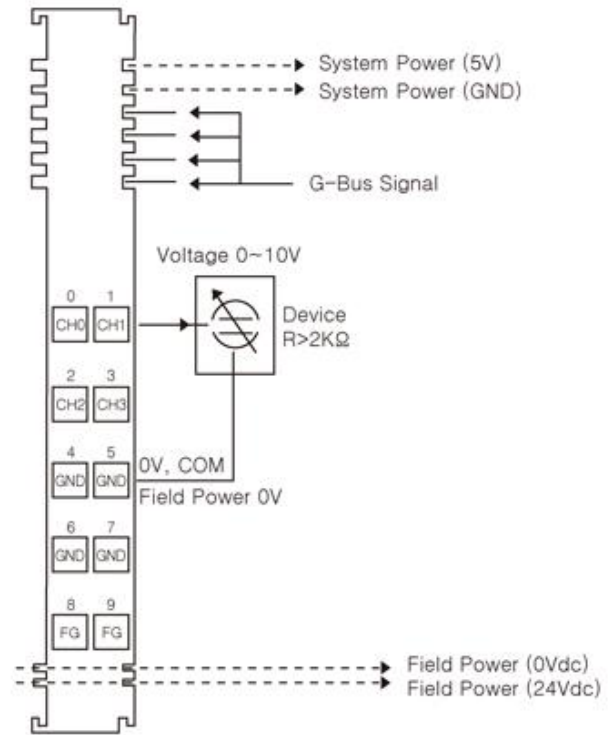
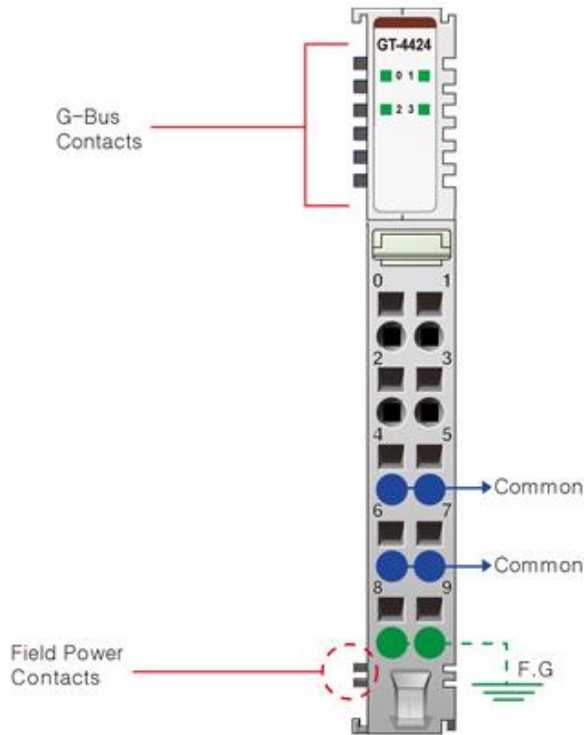


GT-4424

4 Channels, Voltage Output, 0~10V, 12bit



GT-4424 Specification

Outputs per module

Indicators (Logic side)

Resolution in Ranges

Output Range

Data Format

Module Error

Load Resistance

Conversion Time

Diagnostic

4 Channels single ended

4 Green Output status

12 bits: 2.44mV/Bit

0 ~ 10Vdc

16bits Integer (2¹ compliment)

±0.1% Full Scale @ 25°C

±0.3% Full Scale @ -40°C, 70°C

Min. 2KΩ

Max. 150usec / All channel

Field Power Off: LED Blinking

Field Power On: No Output LED Off

Field Power On: Output LED On

Calibration Not Required
 Common Type 4 Common, Field Power 0V is Common (AGND)

General Specification

Power dissipation Max. 30mA @ 5.0Vdc
 Isolation I/O to Logic: Isolation
 Field power: Non-Isolation
 Field Power Supply Voltage: 24Vdc nominal
 Voltage Range: 18~32Vdc
 Power Dissipation: Max. 35mA @ 24Vdc
 Wiring I/O Cable Max. 2.0mm²(AWG 14)
 Weight 58g
 Module Size 12mm x 99mm x 70mm

Pin No.	Signal Description	Signal Description	Pin No.
0	Analog Output Channel 0	Analog Output Channel 1	1
2	Analog Output Channel 2	Analog Output Channel 3	3
4	Output Channel Common (AGND)	Output Channel Common (AGND)	5
6	Output Channel Common (AGND)	Output Channel Common (AGND)	7
8	Field Ground	Field Ground	9