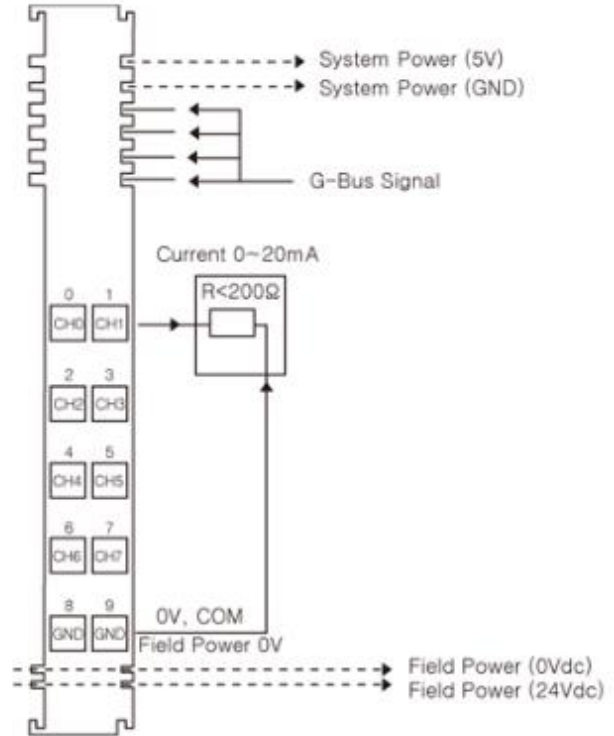
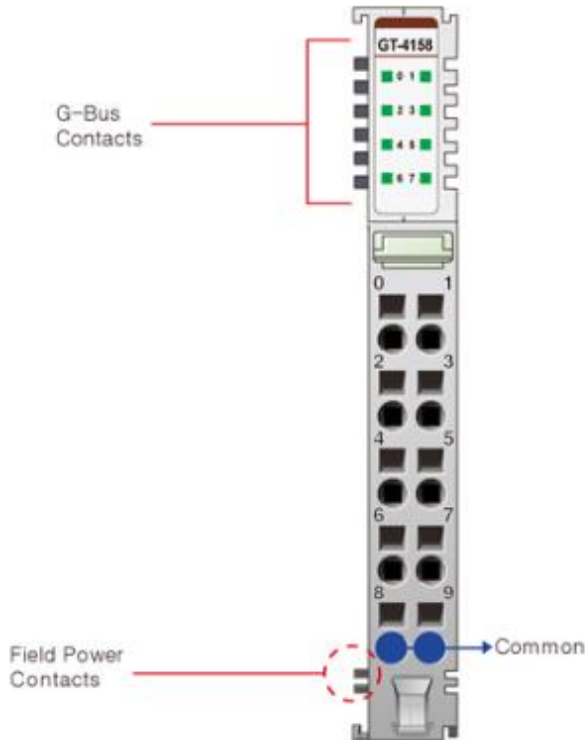


GT-4158

8 Channels, Current Output, 0~20mA, 16bit



GT-4158 (8 Channels, Current Output, 0~20mA, 16bit)

Outputs per module:

8 Channels single ended

Indicators (Logic side):

8 Green Output status

Resolution in Ranges:

16 bit (Include Sign)

15 bits: 0.61uA/bit

Output Range 0~20mA

Data Format:

16bits Integer (2's complement)

Module Error:

±0.1% Full Scale @ 25°C

±0.3% Full Scale @ -40°C, 60°C

Load Resistance:

Min 100Ω, Max. 250Ω

Dignostic:

Field Power Off: LED Blinking

Field Power On: No Output LED Off

Field Power On: Output LED ON

Conversion Time:

Max. 250usec / All channel

Calibration: Not Required
Common Type: 2 Common, Field Power 0V is Common (AGND)

General Specification

Power dissipation: Max. 30mA @ 5.0Vdc
Isolation: I/O to Logic: Photocoupler Isolation
Field power: Non-Isolation

Field Power: Supply Voltage: 24Vdc nominal
Voltage Range: 18~32Vdc
Power Dissipation: Max. 130mA @ 24Vdc

Wiring: I/O Cable Max. 2.0mm²(AWG 14)

Weight: 58g

Module Size: 12mm x 99mm x 70mm

Pin No.	Signal Description	Signal Description	Pin No.
0	Analog Output Channel 0	Analog Output Channel 1	1
2	Analog Output Channel 2	Analog Output Channel 3	3
4	Analog Output Channel 4	Analog Output Channel 5	5
6	Analog Output Channel 6	Analog Output Channel 7	7
8	Output Channel Common (AGND)	Output Channel Common (AGND)	9