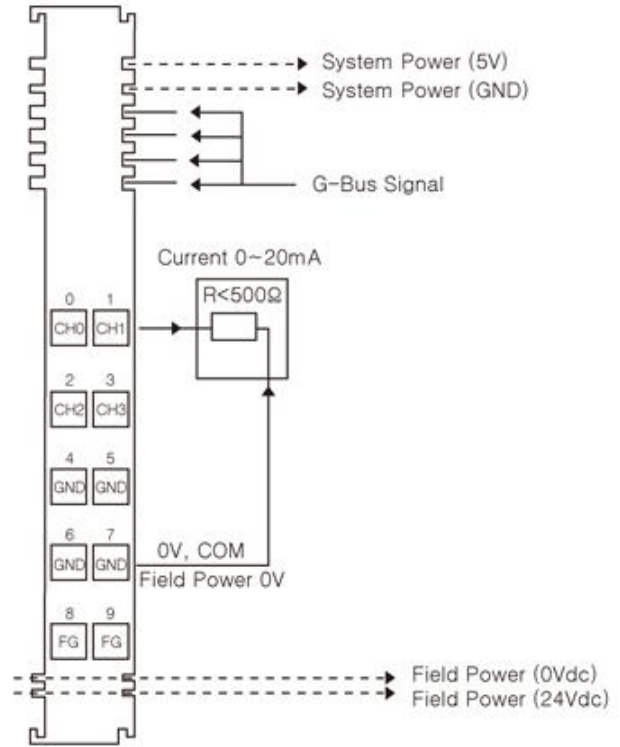
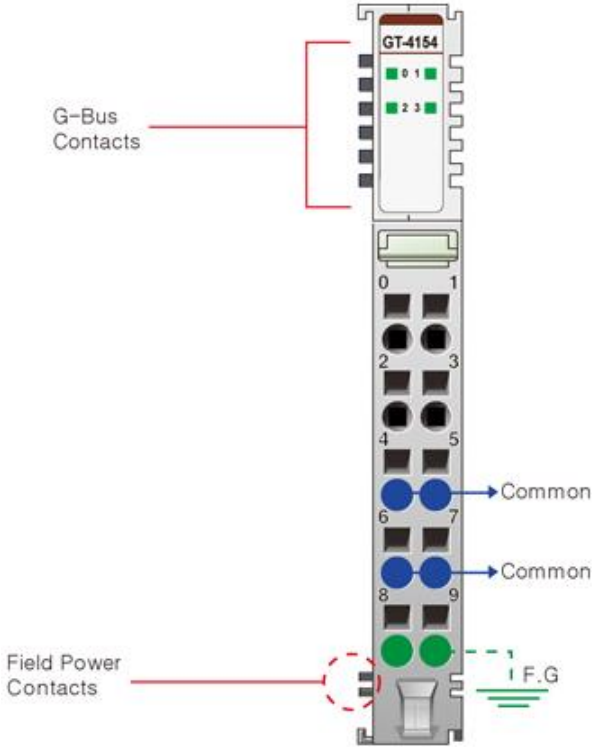


GT-4154

4 Channels, Current Output, 0~20mA, 16bits



GT-4154 (4 Channels, Current Output, 0~20mA, 16bits)

Outputs per module

Indicators (Logic side)

Resolution in Ranges

Output Range

Data Format

Module Error

Load Resistance

Dignostic

4 Channels single ended

4 Green Output status

16 bit (Include Sign)

15 bits: 0.61uA/bit

0~20mA

16bits Integer (2's complement)

±0.1% Full Scale @ 25°C

±0.3% Full Scale @ -40°C, 70°C

Max. 250Ω *

Field Power Off: LED Blinking

Field Power On: No Output LED Off

Field Power On: Output LED ON

Conversion Time	Max. 150usec / All Channel
Calibration	Not Required
Common Type	4 Channels / 4 Common

General Specification

Power dissipation	Max. 30mA @ 5.0Vdc
Isolation	I/O to Logic: Photocoupler Isolation Field power: Non-Isolation
Field Power	Supply Voltage: 24Vdc nominal Voltage Range: 18 ~ 32Vdc Power Dissipation: Max. 80mA @ 24Vdc
Wiring	I/O Cable Max. 2.0mm2(AWG 14)
Weight	58g
Module Size	12mm x 99mm x 70mm

Pin No.	Signal Description	Signal Description	Pin No.
0	Analog Output Channel 0	Analog Output Channel 1	1
2	Analog Output Channel 2	Analog Output Channel 3	3
4	Output Channel Common (AGND)	Output Channel Common (AGND)	5
6	Output Channel Common (AGND)	Output Channel Common (AGND)	7
8	Field Ground	Field Ground	9