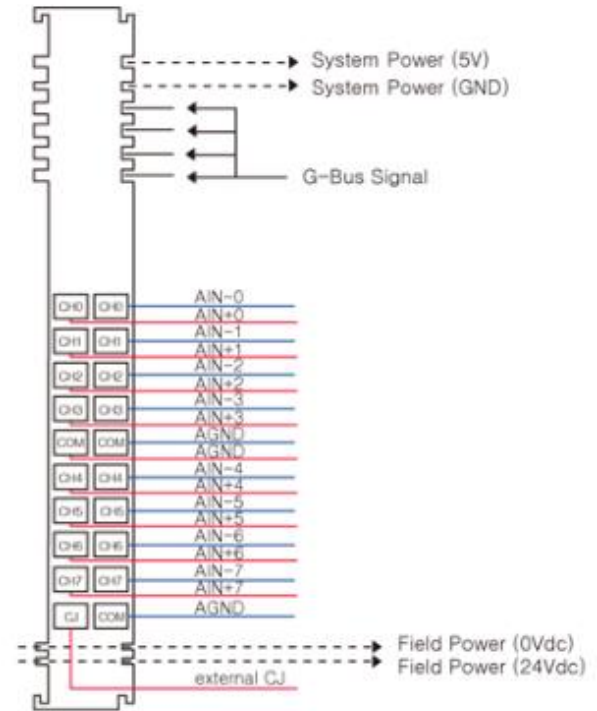


GT-3808

Analog Input, 8 Channels, Thermocouple, K/J/T/B/R/S/E/N/L/U/C/D/ Types' Sensor, 20P Connector



GT-3808 Input Specification

Inputs per module:

8 Channels

Indicators (Logic side):

8 Green Input status, 1 Green Input CJ status

Sensor Types:

Thermal Couple Input Range

Type **Maximum Input Range**

Recommended Input Range

K -270 ~ 1372°C

-200 ~ 1200°C

J -210 ~ 1200°C

-40 ~ 1100°C

T -270 ~ 400°C

-200 ~ 350°C

B 30 ~ 1820°C

600 ~ 1700°C

R -50~1768°C

0 ~ 1600°C

S -50 ~ 1768°C

0 ~ 1600°C

E -270 ~ 1000°C

-200 ~ 800°C

N -270 ~ 1300°C

-200 ~ 1250°C

L	-200 ~ 900°c	-100 ~ 850°c
U	-200 ~ 600°c	-100 ~ 550°c
C	0 ~ 2310°c	100 ~ 2100°c
D	0 ~ 2490°c	100 ~ 2200°c
10uV Input	-81.0 ~ 81.0mV, 10uV/ 1 Count	
1uV Input	-32.7 ~ 32.7mV, 1uV/ 1 Count	
2uV Input	-65.5 ~ 65.5mV, 2uV/ 1 Count	

Module Accuracy

Recommend Input Range

- ±0.1% Recommended Scale @ 25°C ambient
- ±0.3% Recommended Scale @ -40°C, 70°C

C/D type Recommend Input Range

- ±0.3% Recommended Scale @ -40°C, 70°C

Connection Method:

2-Wire

Conversion Time:

Average Conversion time < 330 ms

Cold junction temperature:

Internal

- TMP275AIDGKR: -40°C~125°C

External

- PT100: -45°C~95°C

Data Format:

16bits Integer (2¹ complement)

Field calibration:

Not Required

Diagnostic

Power dissipation:

Max. 150mA @ 5.0Vdc

Isolation:

I/O to Logic: Isolation

Field power: Not Connected

Field Power:

Not used, Field power bypass to next expansion module

Wiring:

I/O Cable Max. 2.0mm²(AWG 14)

Weight:

60g

Module Size:

12mm x 99mm x 70mm

Pin No.	Description
0	TC Channel 0+
1	TC Channel 0-
2	TC Channel 1+
3	TC Channel 1-
4	TC Channel 2+
5	TC Channel 2-
6	TC Channel 3-
7	RTD Channel 3-
8	AGND
9	AGND
10	TC Channel 0+
11	TC Channel 0-
12	TC Channel 1+
13	TC Channel 1-
14	TC Channel 2+
15	TC Channel 2-
16	TC Channel 3+
17	TC Channel 3-
18	Cold Junction Sensor
19	COM

