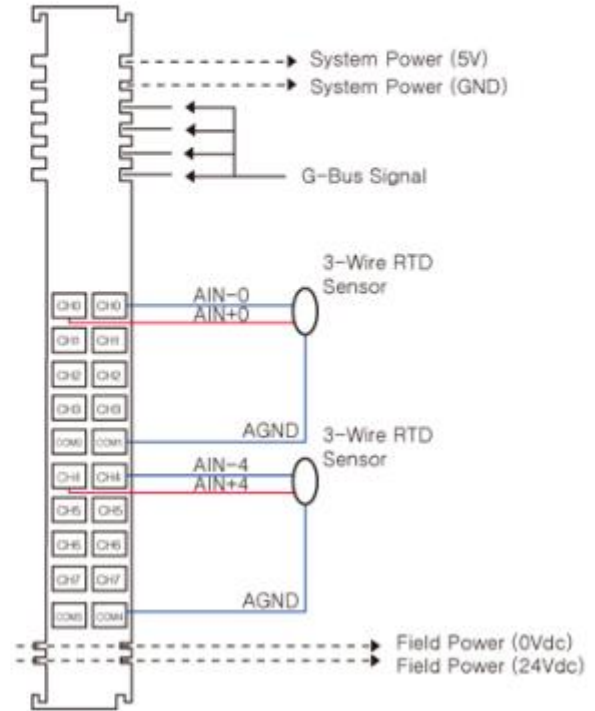


GT-3708

Analog Input, 8 Channels, RTD, Resistance Input, 20P Connector



GT-3708 Input Specification

Inputs per module:	8 Channels
Indicators (Logic side):	8 Green Input status
Sensor Types:	
RTD Input Range	
RTD Input:	Input Range
PT100, PT200, PT500, PT50	-200~850°C
PT1000	-200~350°C
JPT100, JPT200, JPT500, JPT50	-200~640°C
JPT1000	-200~350°C
NI100, NI200, NI500	-60~250°C
NI1000	-60~180°C
NI120	-80~260°C
NI1000LG	-50~120°C

Resistance Input	Input Range
100mΩ/bit	0~2000Ω
10mΩ/bit	0~327Ω
20mΩ/bit	0~620Ω
50mΩ/bit	0~1200Ω
Excitation Current:	About 1mA
Connection Method:	2, 3-Wire
Conversion Time:	< 280ms, All Channel
Data Format:	16bits signed Integer (2' complement)
Module Accuracy:	PT100, PT1000 type Range <ul style="list-style-type: none"> • ±0.5°C @ 25°C All type Input Range <ul style="list-style-type: none"> • ±0.1% Full Scale @ 25°C ambient • ±0.3% Full Scale @ -40°C, 70°C
Resolution of Data:	RTD Type: ±0.1°C / F, Resistance Type: 100mΩ, 10mΩ, 20mΩ, 50mΩ
Calibration:	Not Required
Diagnostic:	Sensor open or range over, then conversion data = 0x8000(-32768)
General Specification	
Power dissipation:	Max. 120mA @ 5.0Vdc
Isolation:	I/O to Logic: Isolation Field power: Not Connected
Field Power:	Not used, Field power bypass to next expansion module
Wiring:	I/O Cable Max. 2.0mm ² (AWG 14)
Weight:	60g
Module Size:	12mm x 99mm x 70mm
Pin No.	Description
0	RTD Channel 0+
1	RTD Channel 0-

2	RTD Channel 1+
3	RTD Channel 1-
4	RTD Channel 2+
5	RTD Channel 2-
6	RTD Channel 3+
7	RTD Channel 3-
8	AGND
9	AGND
10	RTD Channel 4+
11	RTD Channel 4-
12	RTD Channel 5+
13	RTD Channel 5-
14	RTD Channel 6+
15	RTD Channel 6-
16	RTD Channel 7+
17	RTD Channel 7-
18	AGND
19	AGND

