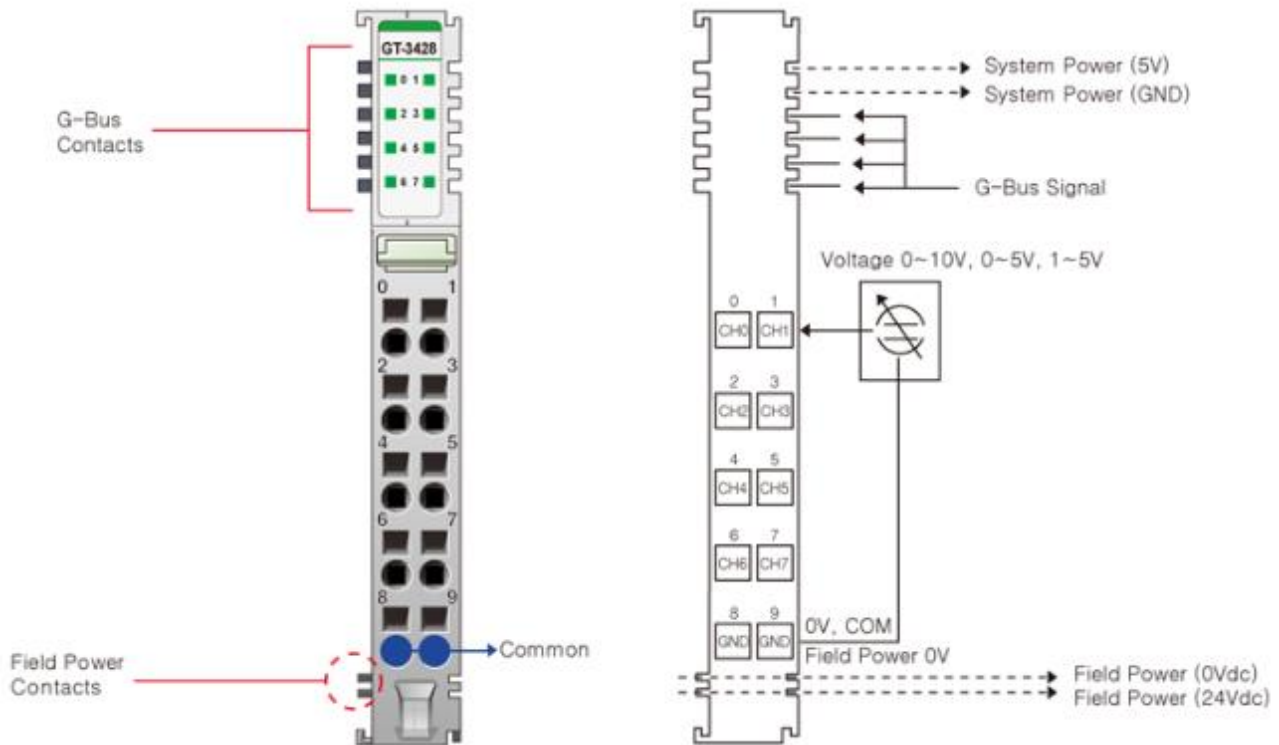


## GT-3428

Analog Input, Voltage(single ended), 8 Channels, 0~10VDC, 0~5VDC, 1~5VDC, -10~+10VDC, 12 Bits, 10 RTB



### GT-3428 Input Specification

Inputs per module:	8 Channels single ended, non-isolated between channels
Indicators (Logic side):	8 Green Input status
Resolution in Ranges:	12 bits: 2.44mV/Bit(0~10V), 1.22mV/Bit(0~5V)
Input current Range:	0~10Vdc, 0~5Vdc, 1~5Vdc
Data Format:	16bits Integer (2's complement)
Module Error:	±0.1% Full Scale @ 25°C ambient ±0.3% Full Scale @ -40°C, 70°C
Input Impedance:	500kΩ
Diagnostic:	Diagnostic Field Power Off: LED Blinking Field Power On: LED Off < 0.5% (Maximum Input Value) Field Power On: LED On > 0.5% (Maximum Input Value)
Conversion Time:	≤1msec / All channel (≤ 0.125ms per channel)
Calibration:	Not Required
Common Type:	2 Common, Field Power 0V is Common (AGND)

## General Specification

Power dissipation:	Max. 30mA @ 5.0Vdc
Isolation:	I/O to Logic: Isolation Field power: Non-Isolation
Field Power:	Supply Voltage: 24Vdc nominal Voltage Range: 18 ~ 32Vdc Power Dissipation: Max. 30mA@24Vdc
Wiring:	I/O Cable Max. 2.0mm2(AWG 14)
Weight:	58g
Module Size:	12mm x 99mm x 70mm
Pin No.	Description
0	Input Channel 0
1	Input Channel 1
2	Input Channel 2
3	Input Channel 3
4	Input Channel 4
5	Input Channel 5
6	Input Channel 6
7	Input Channel 7
8	Input Channel Common (AGND)
9	Input Channel Common (AGND)

