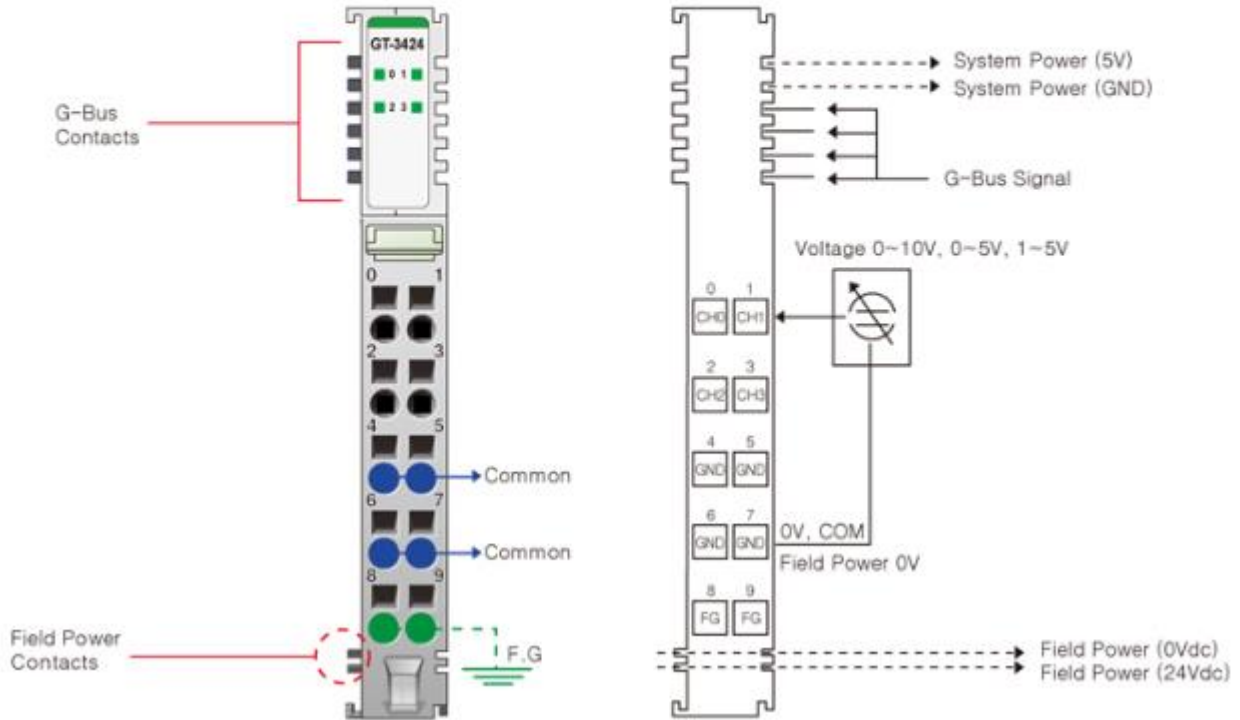


GT-3424

4 Channels, Voltage Input, 0~10Vdc / 0~5Vdc / 1~5Vdc, 12bit



GT-3424 Specification

Inputs per module:	4 Channels single ended, non-isolated between channels
Indicators (Logic side):	4 Green Input status
Resolution in Ranges:	12 bits: 2.44mV/Bit(0~10V), 1.22mV/Bit(0~5V), 0.977mV/Bit(1~5V)
Input Current Range:	0~10Vdc, 0~5Vdc, 1~5Vdc
Data Format:	16bits Integer (2's complement)
Module Error:	±0.1% Full Scale @ 25°C ambient ±0.3% Full Scale @ -40°C, 70°C
Input Impedance:	500kΩ
Diagnostic:	Diagnostic Field Power Off: LED Blinking Field Power On: LED Off < 0.5% (Maximum Input Value) Field Power On: LED On > 0.5% (Maximum Input Value)

Conversion Time: ≤350usec / All channel
 Field calibration: Not Required
 COMMON Type: 4 Common, Field Power 0V is Common (AGND)

General Specification

Power dissipation: Max. 25mA @ 5.0Vdc
 Isolation: I/O to Logic: Isolation
 Field power: Non-Isolation
 Field Power: Supply Voltage: 24Vdc nominal
 Voltage Range: 18 ~ 32Vdc
 Power Dissipation: Max. 25mA@24Vdc
 Wiring: I/O Cable Max. 2.0mm2(AWG 14)
 Weight: 58g
 Module Size: 12mm x 99mm x 70mm

Pin No.	Signal Description	Signal Description	Pin No.
0	Input Channel 0	Input Channel 1	1
2	Input Channel 2	Input Channel 3	3
4	Input Channel Common (AGND)	Input Channel Common (AGND)	5
6	Input Channel Common (AGND)	Input Channel Common (AGND)	7
8	Field Ground	Field Ground	9