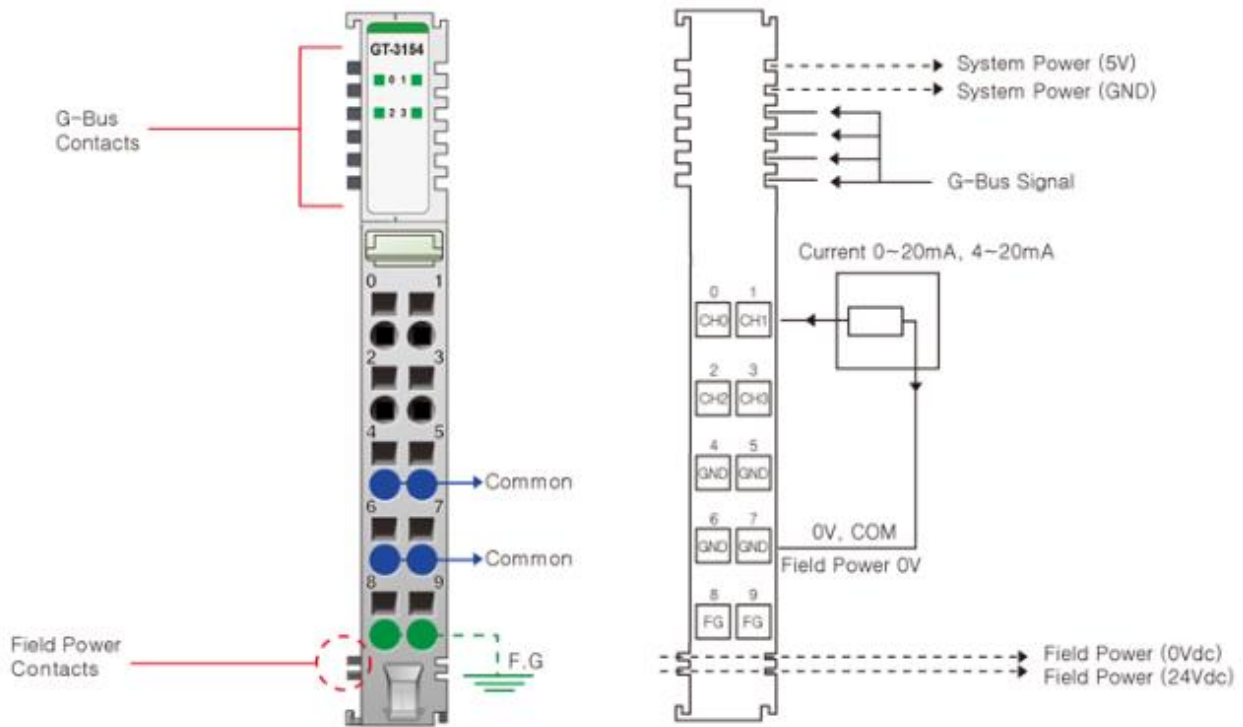


GT-3154

4 Channels, Current Input, 0~20mA / 4~20mA, 16bit



GT-3154 (4 Channels, Current Input, 0~20mA / 4~20mA, 16bit)

Inputs per module:	4 Channels single ended, non-isolated between channels
Indicators (Logic side):	4 Green Input status
Resolution in Ranges:	16 bit (Include Sign) 15 bits: 0.61uA/Bit(0~20mA), 0.49uA/Bit(4~20mA)
Input Range:	0~20mA, 4~20mA
Data Format:	16bits Integer (2' compliment)
Module Error:	±0.1% Full Scale @ 25°C ambient ±0.3% Full Scale @ -40°C, 70°C
Input Impedance:	121.5Ω
Diagnostic:	Dagnostic Field Power Off: LED Blinking Field Power On: LED Off < 0.5% (Maximum Input Value) Field Power On: LED On > 0.5% (Maximum Input Value) Minimum Range Over: LED Off < 3mA (4 ~ 20mA)

Conversion Time: 650usec / All channel
 Field calibration: Not Required
 COMMON Type: 4 Common, Field Power 0V is Common (AGND)

General Specification

Power dissipation: Max. 25mA @ 5.0Vdc
 Isolation: I/O to Logic: Isolation
 Field power: Non-Isolation
 Field Power: Supply Voltage: 24Vdc nominal
 Voltage Range: 18 ~ 32Vdc
 Power Dissipation: Max. 20mA@24Vdc
 Wiring: I/O Cable Max. 2.0mm2(AWG 14)
 Weight: 58g
 Module Size: 12mm x 99mm x 70mm

Pin No.	Signal Description	Signal Description	Pin No.
0	Input Channel 0	Input Channel 1	1
2	Input Channel 2	Input Channel 3	3
4	Input Channel Common (AGND)	Input Channel Common (AGND)	5
6	Input Channel Common (AGND)	Input Channel Common (AGND)	7
8	Field Ground	Field Ground	9