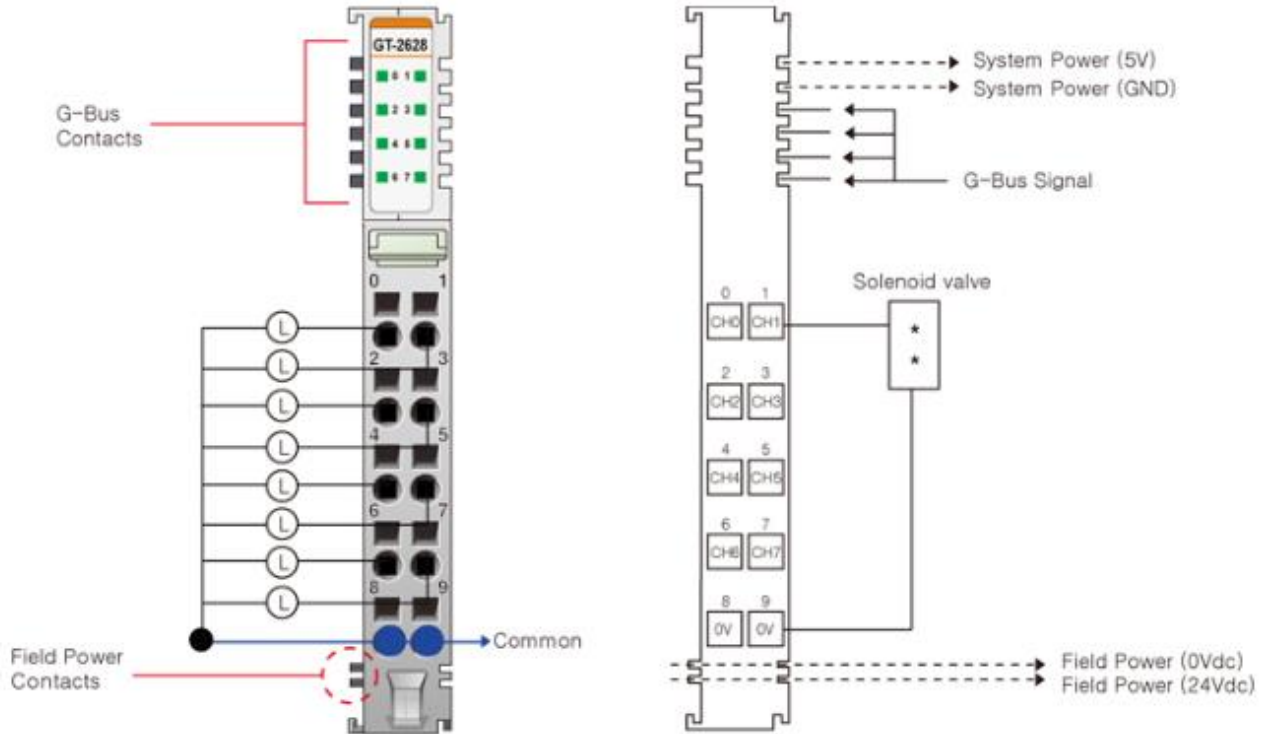


GT-2628

8 Channels, Source Output Terminal, 24Vdc/2A



GT-2628 Output Specification

Output per module:	8 Points Source type
Indicators (Logic side):	8 Green output state
Output Voltage Range:	Nominal 24Vdc, Min. 15Vdc to Max. 32Vdc
ON-state voltage drop:	Max. 1Vdc @ 25°C
ON-State Min. Current:	1mA per channel
OFF-State Leakage current:	Max. 150uA
Output Signal Delay	OFF to ON: 0.3ms maximum ON to OFF: 0.3ms maximum
Output Current Rating:	Max. 2A per channel Operating Temperature -40°C~50°C: Max. 10A per unit 50°C~60°C: Max. 7A per unit 60°C~70°C: Max. 4.8A per unit
COMMON Type:	8 points / Internal 2Com

General Specification

Power Dissipation:	45mA maximum @ 5.0Vdc
Isolation:	I/O to Logic: isolation Field power: Non-isolation
Field Power:	Supply voltage: 24Vdc nominal
Voltage range:	15V~32V
Power dissipation:	30mA @24Vdc
Wiring:	I /O Cable Max. 2.0mm2(AWG 14)
Weight:	70g
Module Size:	12mm x 99mm x 70mm
Pin No.	Description
0	Output Channel 0
1	Output Channel 1
2	Output Channel 2
3	Output Channel 3
4	Output Channel 4
5	Output Channel 5
6	Output Channel 6
7	Output Channel 7
8	Common (Field Power 0V)
9	Common (Field Power 0V)

