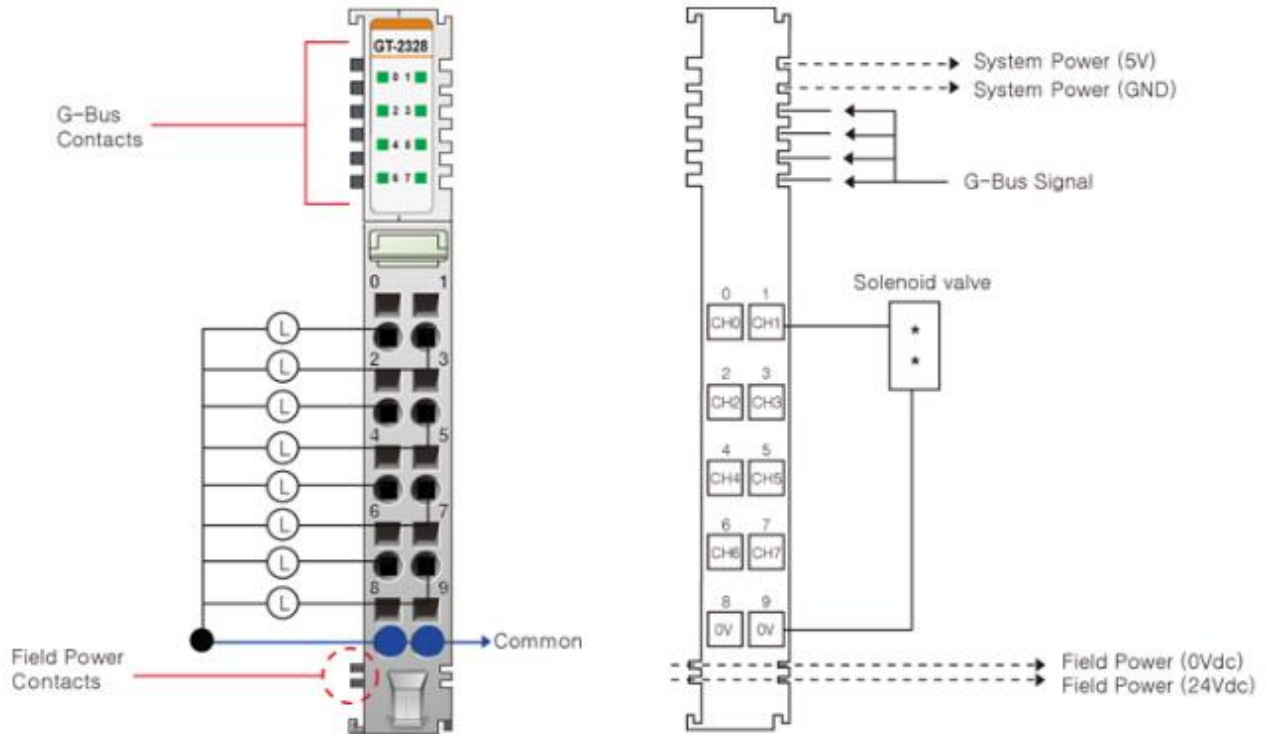


GT-2328

Digital Output, 8 Points, Source(Positive), 24VDC, 0.5A, 10 RTB



GT-2328 Output Specification

| | |
|--------------------------------|--|
| Output per module: | 8 Points Source type |
| Indicators (Logic side): | 8 Green output state |
| Output Voltage Range: | Nominal 24Vdc, Min. 15Vdc to Max. 32Vdc |
| ON-state voltage drop: | Max. 0.5Vdc @ 25°C, 70°C, -40°C |
| Field Power OFF-state voltage: | 4.6Vdc @ 25°C |
| ON-State Min. Current: | 1mA per channel |
| OFF-State Leakage current: | Max. 25uA |
| Output Signal Delay: | OFF to ON: 0.3ms maximum ON to OFF: 0.3ms maximum |
| Output Current Rating: | Max. 0.5A per channel / Max. 4A per unit |
| Protection: | Over Current limit: Min 6.5A@ 25°C per each channels Thermal Shutdown: Min 4A@ 25°C per each channels Short circuit protection |
| COMMON Type: | 8 points / Internal 2Com |

General Specification

| | |
|--------------------|--|
| Power Dissipation: | 40mA maximum @ 5.0Vdc |
| Isolation: | I/O to Logic: Isolation Field Power: Non-isolation |
| Field Power: | Supply voltage: 24Vdc nominal Voltage range: 15 to 32Vdc Power dissipation: 10mA @ 24Vdc |
| Wiring: | I/O Cable Max. 2.0mm ² (AWG 14) |
| Weight: | 40g |
| Module Size: | 12mm x 99mm x 70mm |
| Pin No. | Description |
| 0 | Output Channel 0 |
| 1 | Output Channel 1 |
| 2 | Output Channel 2 |
| 3 | Output Channel 3 |
| 4 | Output Channel 4 |
| 5 | Output Channel 5 |
| 6 | Output Channel 6 |
| 7 | Output Channel 7 |
| 8 | Common (Field Power 0V) |
| 9 | Common (Field Power 0V) |