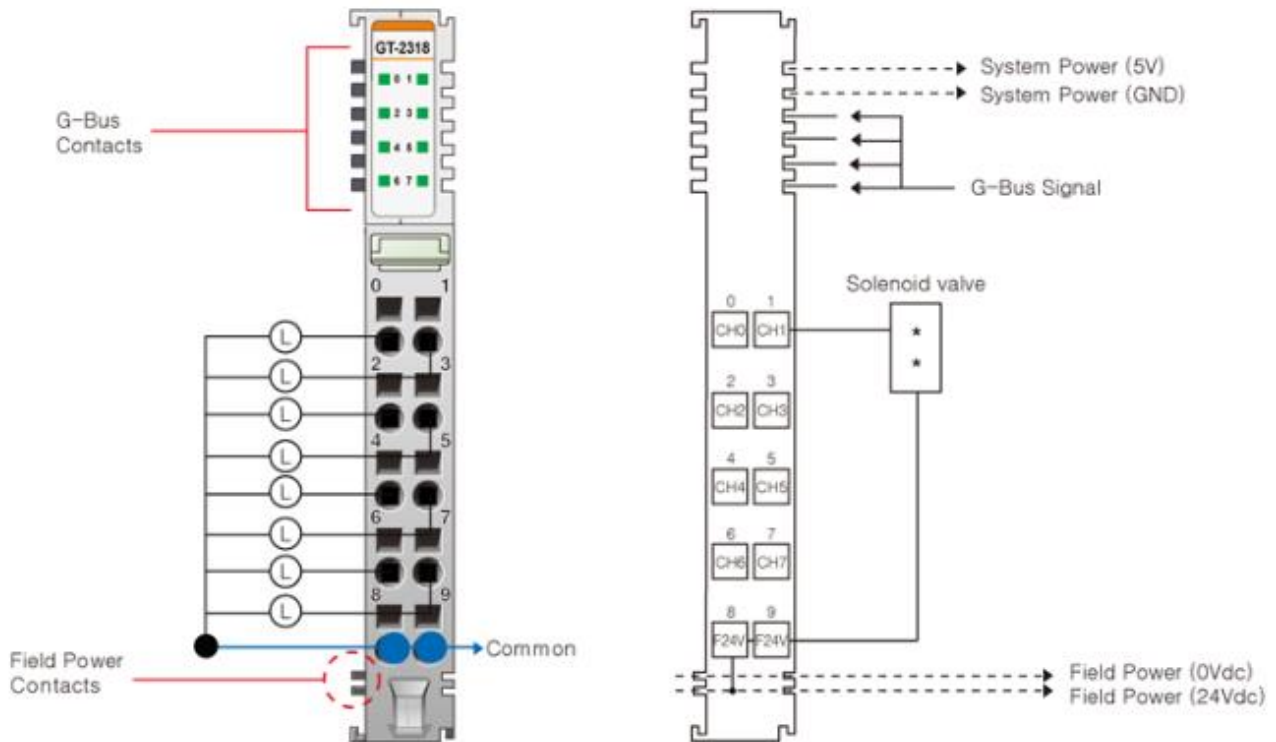


GT-2318

Digital Output, 8 Points, Sink(Negative), 24VDC, 0.5A, 10 RTB



GT-2318 Output Specification

Output per module:	8 Points, Sink type
Indicators (Logic side):	8 Green Output status
Output Voltage Range:	Nominal 24Vdc, Min. 15Vdc to Max. 32Vdc
ON-state voltage drop:	Max. 0.5Vdc @ 25°C, 70°C, -40°C
ON-State Min. Current:	1mA per channel
OFF-State Leakage current:	Max. 25uA
Output Signal Delay:	OFF to ON: 0.3ms maximum ON to OFF: 0.3ms maximum
Output Current Rating:	Max. 0.5A per channel / Max. 4A per unit
Protection:	Over Current limit: Min. 3.5A@ 25°C per each channels Thermal Shutdown: Min 3A@ 25°C per each channels Short circuit protection
COMMON Type:	8 points / Internal 2Com

General Specification

Power Dissipation:	45mA maximum @ 5.0Vdc
Isolation:	I/O to Logic: Isolation Field power: Non-isolation
Field Power:	Supply voltage: 24Vdc nominal Voltage range: 15V to 32V Power dissipation: 5mA @24Vdc
Wiring:	I/O Cable Max. 2.0mm2(AWG 14)
Weight:	39g
Module Size:	12mm x 99mm x 70mm
Pin No.	Description
0	Output Channel 0
1	Output Channel 1
2	Output Channel 2
3	Output Channel 3
4	Output Channel 4
5	Output Channel 5
6	Output Channel 6
7	Output Channel 7
8	Common (Field Power 24V)
9	Common (Field Power 24V)