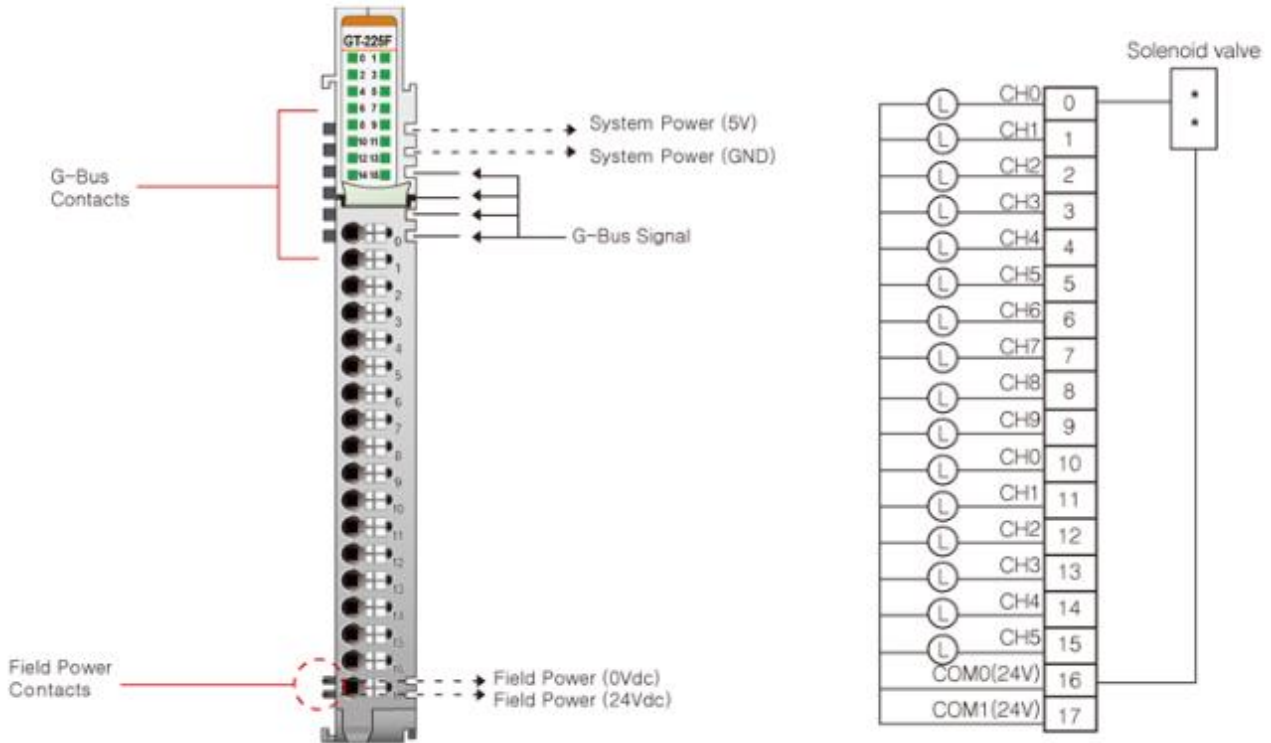


GT-225F

16 Channels, Sink Output Terminal, 24Vdc/0.3A



GT-225F Specification

Output per module

16 Points Sink type

Indicators:

16 Green output state

Output Voltage Range:

Nominal 24Vdc, Min. 15Vdc ~ Max. 32Vdc

ON-state voltage drop:

Max. 0.3Vdc @ 25°C / 0.5Vdc@ 70°C

ON-State Min. Current:

1mA per channel

OFF-State Leakage current:

Max. 20uA

Output Signal Delay OFF to ON:

0.3mS maximum

ON to OFF:

0.5mS maximum

Output Current Rating:

Max. 0.3A per channel / Max. 4.8A per unit

Protection (VNS3NV04D-E) Over Current limit: Min. 3.5A@ 25°C per each Channels (VNS3NV04D-E)
 Thermal Shutdown:
 Min 3A@ 25°C per each channels (VNS3NV04D-E, Min 150°C)
 Short circuit protection
 COMMON Type: 16 points / 2COM (Single Common)

General Specification

Power dissipation: 50mA maximum @ 5.0Vdc
 Isolation I/O to Logic: Photocoupler isolation
 Field Power Supply voltage: 24Vdc nominal
 Voltage range: 15~32Vdc
 Power dissipation: 30mA maximum @ 32.0Vdc
 Wiring: I/O Cable Max. 0.32mm²(AWG 22)
 Weight: 52g
 Module Size: 12mm x 99mm x 70mm

Pin No.	Signal Description	Signal Description	Pin No.
0	OutputChannel 0	Output Channel 1	1
2	OutputChannel 2	Output Channel 3	3
4	OutputChannel 4	Output Channel 5	5
6	OutputChannel 6	Output Channel 7	7
8	OutputChannel 8	Output Channel 9	9
10	OutputChannel 10	Output Channel 11	11
12	OutputChannel 12	Output Channel 13	13
14	OutputChannel 14	Output Channel 15	15
16	Common(Field Power 24V)	Common (Field Power 24V)	17

