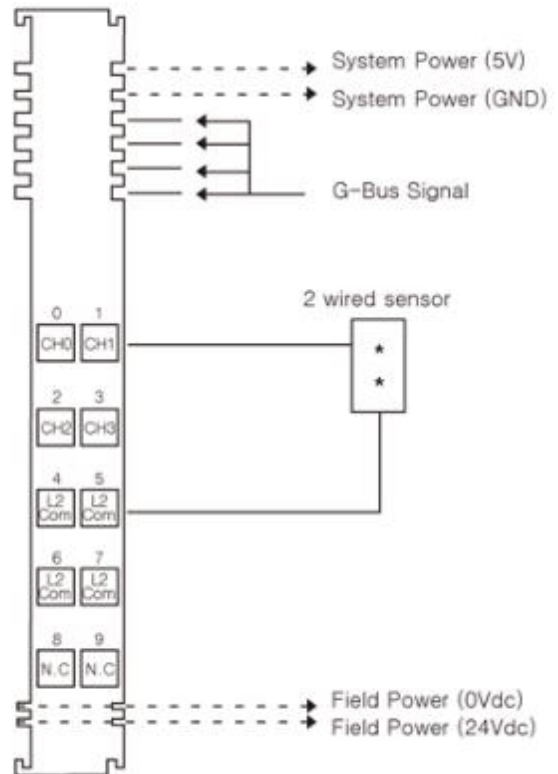
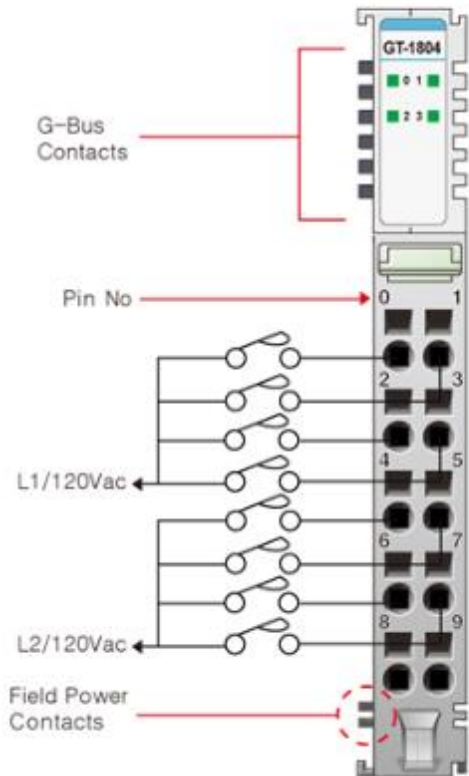


GT-1804

Digital Input, 4 Points, AC Type, 120VAC, 10 RTB



GT-1804 Input Specification

Inputs Per Module

4 Points type

Indicators:

4 Green input state

ON-state Voltage:

120V ac nominal

Min. 85Vac to Max. 132Vac

ON-state Current:

7.5mA maximum/point @120Vac

Minimum OFF- state Voltage 45Vac maximum

Input Signal Delay OFF to ON:

30mS @ 120Vac

ON to OFF:

130mS @ 120Vac

Nominal Input Impedance:

17.5KΩ typical

Frequency Range:

60Hz

Common Type 4 Points / 4 Common (L2/N)

General Specification

Power Dissipation:	Max. 30mA @ 5.0Vdc
Isolation I/O to Logic:	Photocoupler isolation
Field Power:	Field Power passes through to the next module.
Supply voltage:	24Vdc
Voltage range:	15V ~ 32Vdc
(AC Power Not used)	
Wiring:	I /O Cable Max. 2.0mm ² (AWG 14)
Weight:	57g
Module Size:	12mm x 99mm x 70mm

Pin No.	Description
0	Input Channel 0
1	Input Channel 1
2	Input Channel 2
3	Input Channel 3
4	Input Channel Common (L2 /N)
5	Input Channel Common (L2 /N)
6	Input Channel Common (L2 /N)
7	Input Channel Common (L2 /N)
8	N.C
9	N.C