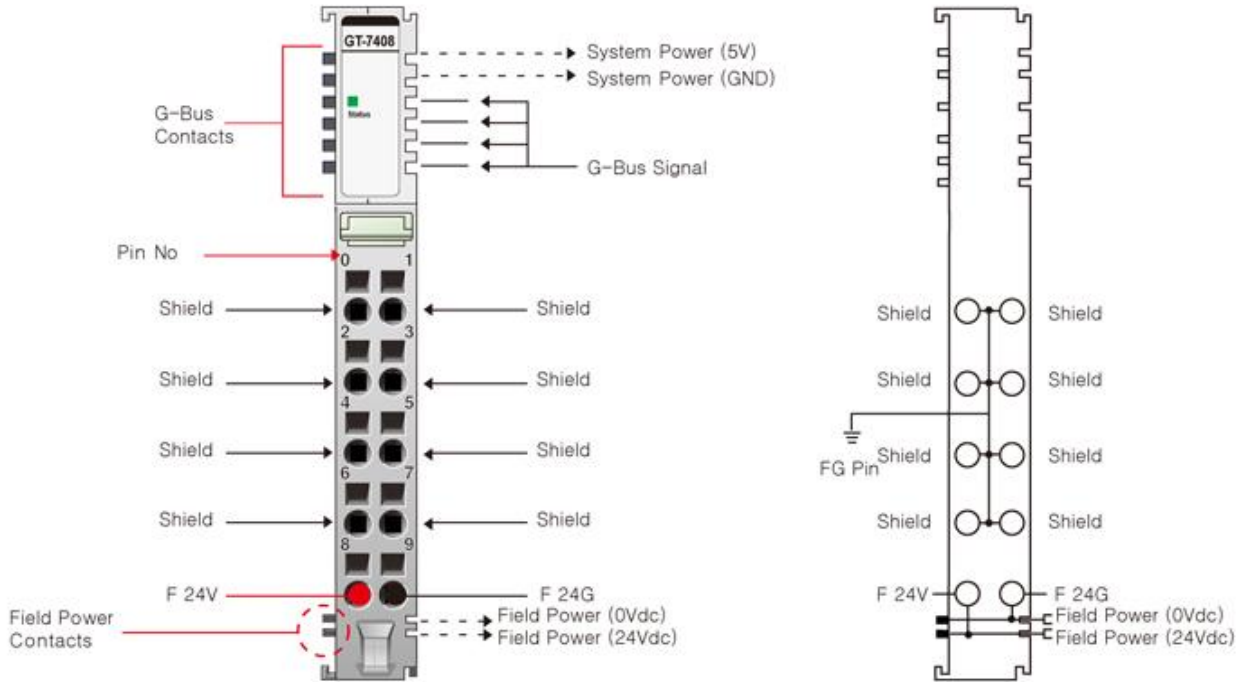


GT-7408

Potential Distributor, ID Type, 8channels, Shield, 10 RTB



GT-7408 Specification

Field Power Voltage	Normal 24Vdc
Field Power Contacts Current	Max. 10A
Indicator	1 Green LEDs 1 Green Internal Bus State
Operating Temperature	-40°C~50°C: Max. 10A 50°C~70°C: Max. 7A

General specification

System Power Dissipation	Max. 30mA @ 5Vdc
Wiring	I/O Cable Max. 2.0mm ² (AWG 14)
Weight	70g Max.
Module Size	12mm x 99mm x 70mm

Pin No.	Description
0	Shield
1	Shield
2	Shield
3	Shield
4	Shield
5	Shield
6	Shield
7	Shield
8	Field Power, 24V
9	Field Power, 24G