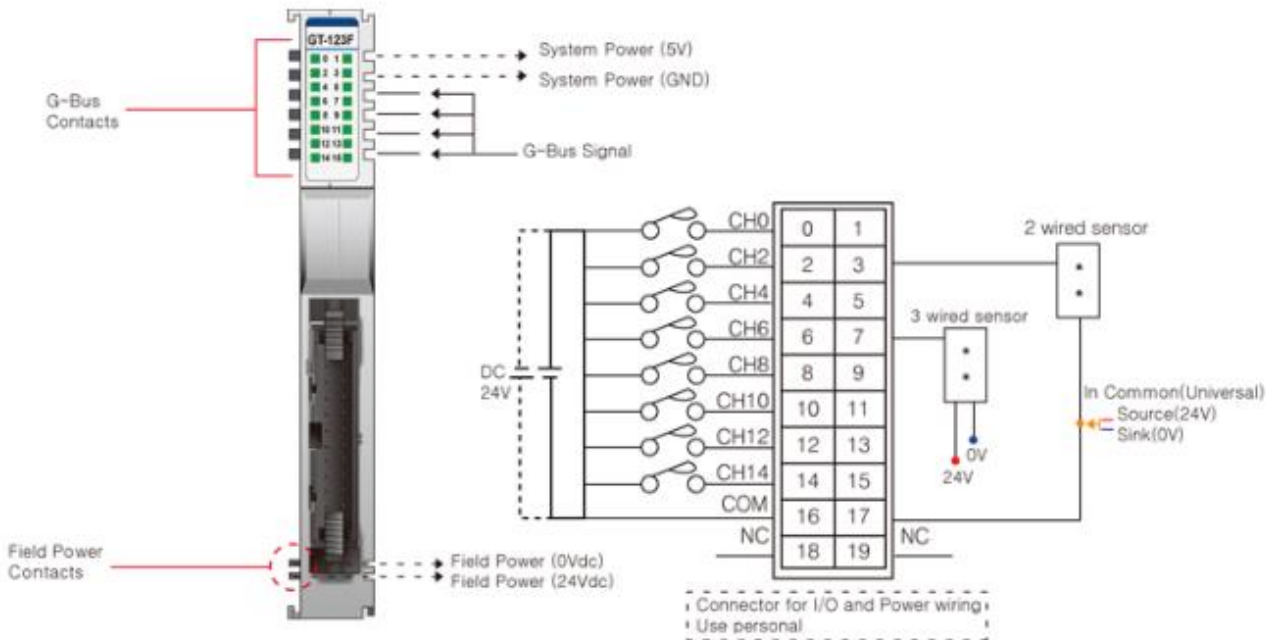


GT-123F

Digital Input, 16 Points, Universal (Sink or Source), 24VDC, 20P Connector



GT-123F Input Specification

Inputs Per Module

16 Points Universal Digital Type

Indicators:	16 Green input state
ON-state Voltage:	24V dc nominal
Min. 15Vdc to Max. 32Vdc	
ON-state current:	3.05mA maximum/point @32Vdc
Input Signal Delay OFF to ON:	0.3ms Max
ON to OFF:	0.3ms Max
Input filter:	Adjustable, up to 10ms
Nominal Input Impedance:	10.2K ohm typical
COMMON Type:	16 points / 2 COM (Single Common)

General Specification

Power Dissipation:	50mA maximum @ 5.0Vdc
Isolation I/O to Logic:	Photocoupler isolation
Field Power Supply voltage:	24Vdc nominal
Voltage range:	15~32Vdc
Power dissipation:	0mA @ 32Vdc
Wiring:	20Pin Connector Type
Weight:	52g
Module Size:	12mm x 99mm x 70mm

Pin No.	Description
0	Input Channel 0
1	Input Channel 1
2	Input Channel 2
3	Input Channel 3
4	Input Channel 4
5	Input Channel 5
6	Input Channel 6
7	Input Channel 7
8	Input Channel 8
9	Input Channel 9
10	Input Channel 10
11	Input Channel 11
12	Input Channel 12
13	Input Channel 13
14	Input Channel 14
15	Input Channel 15
16	Common(Sink Oper.0V /Source Oper.24V)
17	Common(Sink Oper.0V /Source Oper.24V)
18	NC
19	NC

