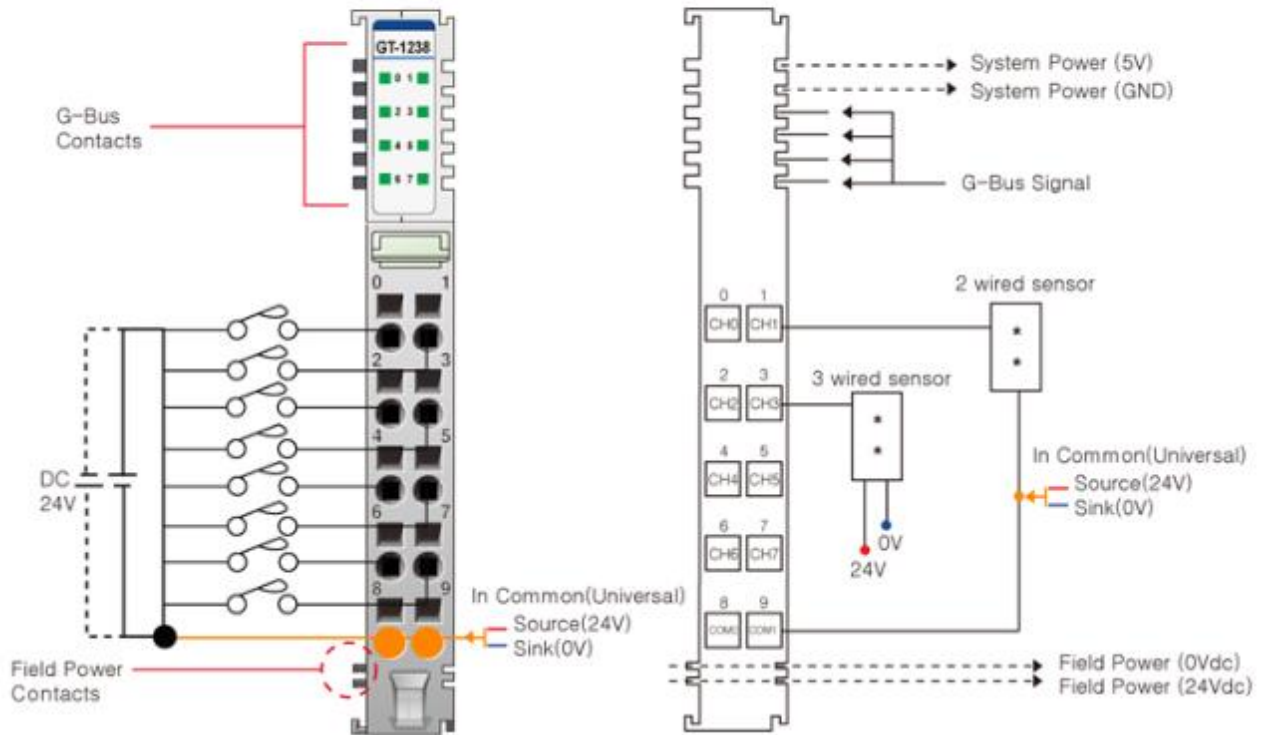


GT-1238

Digital Input, 8Points, Universal(Sink or Source), 24VDC, 10RTB



GT-1238 Input Specification

Inputs Per Module

8 Points Universal type

Indicators:

8 Green input state

ON-state Voltage:

24V dc nominal

Min. 15Vdc to Max. 32Vdc

Field Power OFF-state voltage:

8.3Vdc @ 25°C

ON-state current:

3.03mA maximum/point @32Vdc

Input Signal Delay:

OFF to ON: 0.3ms Max

ON to OFF:

0.3ms Max

Input filter:

Adjustable, up to 10ms

Nominal Input Impedance:

10.2K ohm typical

COMMON Type:

8 points / External 2COM (Universal)

General Specification

Power Dissipation:	35mA maximum @ 5.0Vdc
Isolation I/O to Logic:	Isolation
Field Power Supply voltage:	24Vdc nominal
Voltage range:	15 to 32Vdc
Power dissipation:	0mA @ 24Vdc
Wiring:	I/O Cable Max. 2.0mm ² (AWG 14)
Weight:	39g
Module Size:	12mm x 99mm x 70mm

Pin No.	Description
0	Input Channel 0
1	Input Channel 1
2	Input Channel 2
3	Input Channel 3
4	Input Channel 4
5	Input Channel 5
6	Input Channel 6
7	Input Channel 7
8	Common (Sink Oper.0V /Source Oper.24V)
9	Common (Sink Oper.0V /Source Oper.24V)