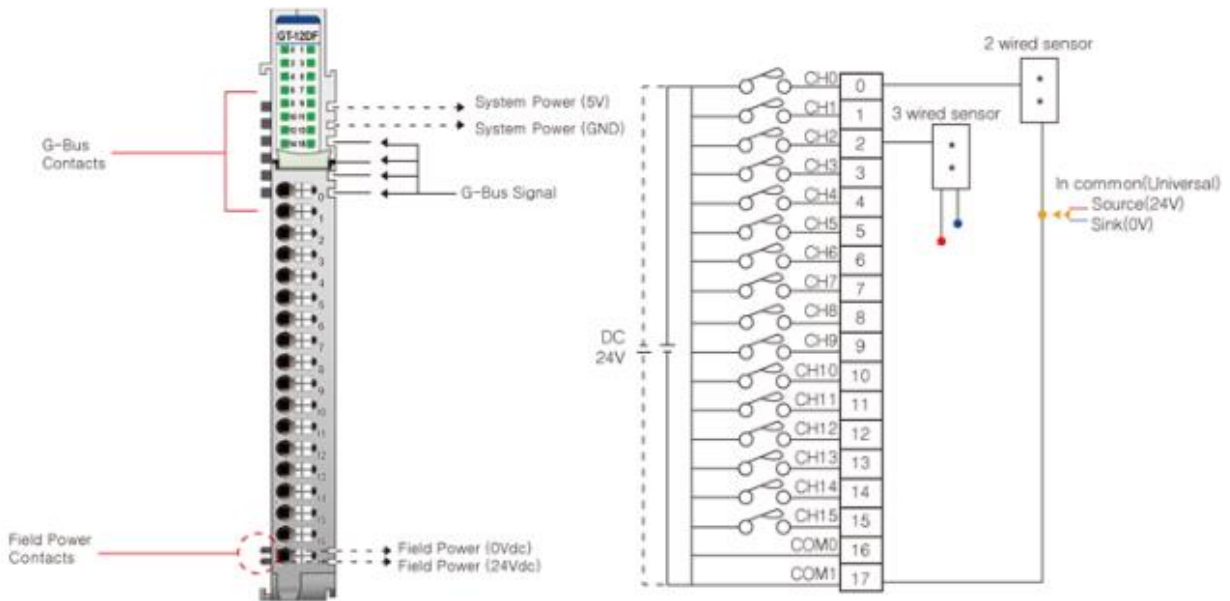


GT-12DF

16 Channels Universal (Sink or Source) Input Terminal



GT-12DF (16 Channels Universal Input Terminal)

Inputs per module:	16 Points Universal Digital Type
Indicators	16 Green input state
ON-state Voltage	24V dc nominal
@70°C - Min. 15Vdc to Max. 28.8Vdc	@60°C - Min. 15Vdc to Max. 32Vdc
ON-state current	3.05mA maximum/point @32Vdc
Input Signal Delay	OFF to ON : 0.3ms Max
ON to OFF :	0.3ms Max
Nominal Input Impedance	14.9K ohm typical
COMMON Type	16 points / 2 COM (Single Common)

General Specification

Power dissipation	50mA maximum @ 5.0Vdc
Isolation I/O to Logic :	Photocoupler isolation
Field Power Supply voltage :	24Vdc nominal
Voltage range :	15~32Vdc
Power dissipation:	0mA @ 32Vdc
Wiring:	I/O Cable Max. 0.32mm ² (AWG 22)
Weight:	52g
Module Size:	12mm x 99mm x 70mm

Pin No.	Signal Description	Signal Description	Pin No.
0	Input Channel 0	Input Channel 1	1
2	Input Channel 2	Input Channel 3	3
4	Input Channel 4	Input Channel 5	5
6	Input Channel 6	Input Channel 7	7
8	Input Channel 8	Input Channel 9	9
10	Input Channel 10	Input Channel 11	11
12	Input Channel 12	Input Channel 13	13
14	Input Channel 14	Input Channel 15	15
16	Common(SinkOper.0V / Source Oper.24V)		
	Common(SinkOper.0V/ Source Oper.24V)		17