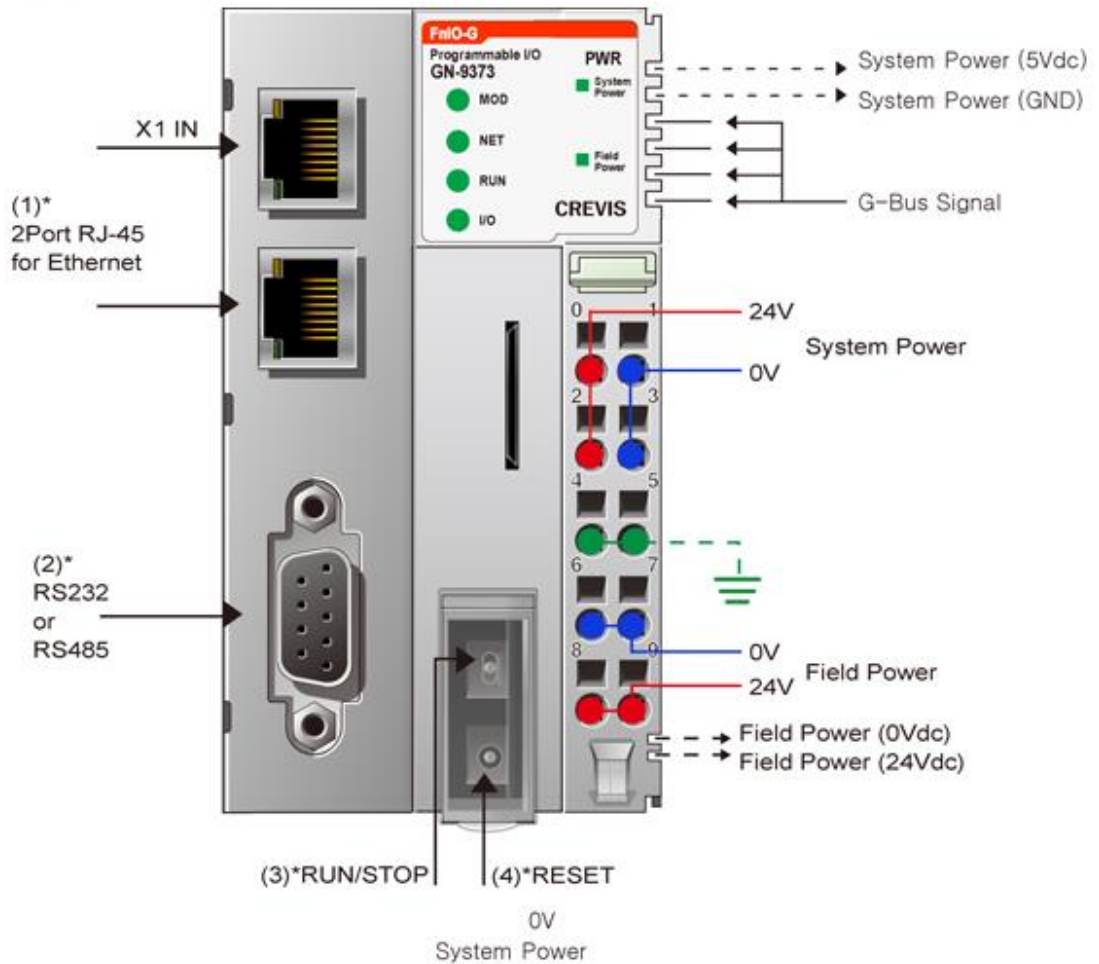


GN-9373

PROGRAMMABLE I/O



Programmable Specification, GN-9373 (PROGRAMMABLE I/O)

Programming	CoDeSys V3.5.11.3
Program Memory	512 KBytes
Data Memory	
16 MBytes	IO Input: %IW0 ~%IW2047 (2048 words) IO Output: %QW0 ~%QW2047 (2048 words) Memory: %MW0 ~ %MW8191 (8192 words)
Non-Volatile Memory	32 KBytes (Retain: 16KBytes, Flag: 16 KBytes)
Run-Time System	Multiple PLC Tasks
Program Languages	IEC 61131-3 (LD, IL, ST, FBD, SFC)

OPC-Server	DA
Online Change	Supporting
Source Upload/Download	Supporting
File transmit	Supporting
Breakpoint	Supporting
Webvisualization	Supporting
RTC	Retain Time: < 15 day Accuracy: < 2min/month
Max. Task	10
Max. Cycle Task	10
Max. Status Task	10
Process Time	7usec (90 Instructions)

Interface Specification, GN-9373 (PROGRAMMABLE I/O)

Adapter Type	Master & Slave Node (Modbus TCP, Modbus RTU)
Max. Expansion Module	63 Slots
Max. Data Size (Input+Output)	Max 128Byte each slot
Max. Nodes	Limited by Ethernet Specification
Baud rate	10/100Mbps, Auto-negotiation, Full Duplex
Ethernet Interface	RJ-45 socket * 2pcs
Ethernet Protocol**	Modbus/TCP, Modbus/UDP, SNTP HTTP (Webvisualization***, Web-Server), DHCP/BOOTP, OPC-server
Max. Socket	24 (UDP: 8, TCP: 16, TCP_LISTEN: 10)
Serial Interface	RS232/RS485 2port (supporting Touch Pannel)
Serial Protocol	Modbus/RTU / Baud Rate: 2400~115200 bps (Default: 115200 bps)

Indicator	6 LEDs
	1 Green/Red, Module Status (MOD)
	1 Green/Red, Network Status (NET)
	1 Green/Red, PLC Run/Stop Status (RUN)
	1 Green/Red, Expansion I/O Module Status (IOS)
	1 Green, System Power Status
	1 Green, Field Power Status

General Specification

System Power	Supply voltage: 24Vdc nominal Supply voltage range: 15~32Vdc Protection: Output current limit (Min. 1.5A) / Reverse polarity protection
Power Dissipation	110mA typical @ 24Vdc
Current for I/O Module	1.5A @ 5Vdc
Isolation	System power to internal logic: Non-isolation System power I/O driver: Isolation
Field Power	Supply voltage: 24Vdc typical (Max. 32Vdc) * Field Power Range is different depending on IO Module series. Refer to IO Module`s Specification.
Max. Current Field Power Contact	DC 10A Max.
Weight	167g
Module Size	54mm x 99mm x 70mm