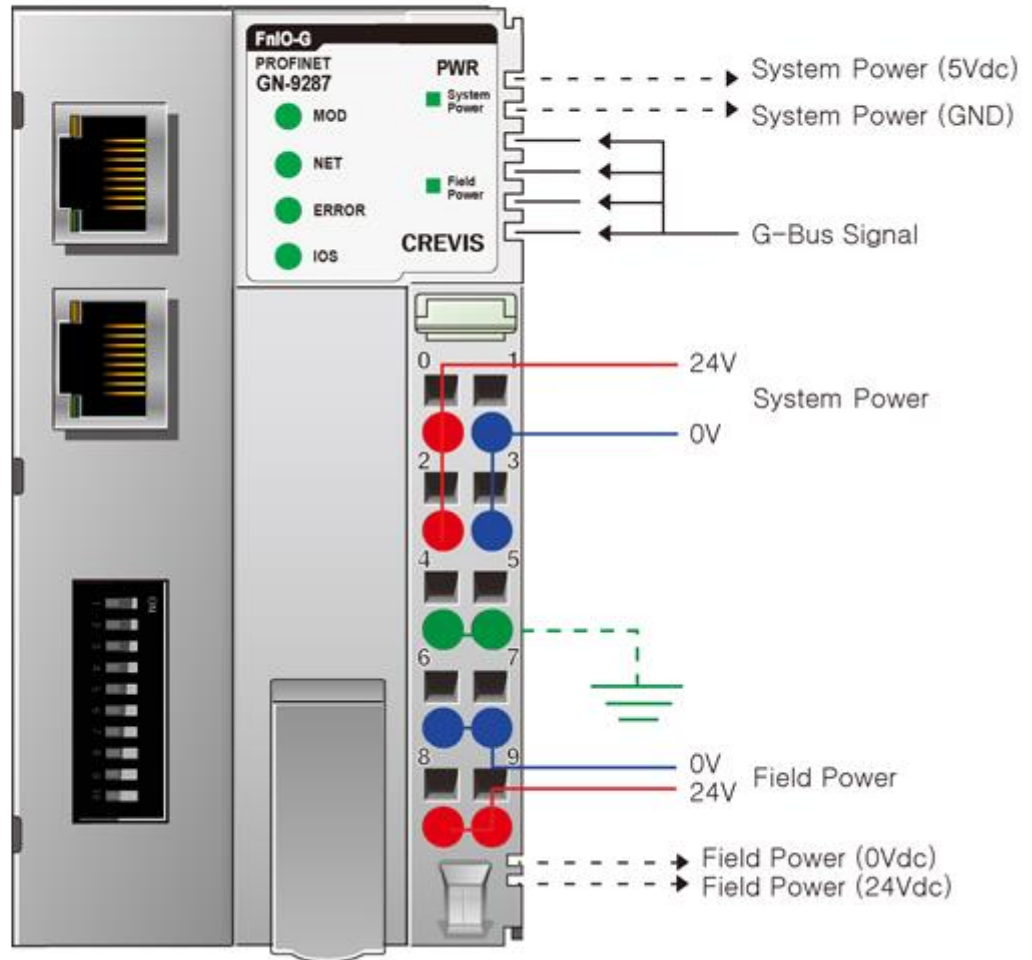


GN-9287

PROFINET Network Adapter



Interface Specification, GN-9287 (PROFINET NETWORK ADAPTER)

Adapter Type	Slave node (Profinet)
Protocol	Profinet, Modbus RTU
Max. Expansion Module	32 slots
Max. Data Size	Max 1440 bytes
Max Length Bus Line	Up to 100m from Ethernet Hub/Switch with twisted CAT5 UTP/STP
Max. Nodes	Limited by Profinet Specification.
Baud Rate	100Mbps, Auto-negotiation, Full duplex
Interface Connector	RJ-45 socket * 2pcs
IP-Address Setup	Via Master Device Software

Max. Parameter Size	2048 Bytes (ex: 1 slot = 64 Byte + I/O Parameter Size (Dword size))
Serial Port	RS232 for MODBUS/RTU, Touch Pannel
Serial Configuration (RS232)	Node: 1 (Fixed) Baud Rate: 115200 (Fixed) Data bit: 8 (Fixed) Parity bit: No parity (Fixed) Stop bit: 1 (Fixed)
Indicator	<p><i>6 LEDs</i></p> <ul style="list-style-type: none"> 1 Green/Red, Module Status (MOD) 1 Green, Physical Connection (NET) 1 Green/Red, Network Error (ERROR) 1 Green/Red, Expansion I/O Module Status (IOS) 1 Green, System Power Status 1 Green, Field Power Status <p><i>2 LEDs (each RJ45 Connector)</i></p> <ul style="list-style-type: none"> 1 Yellow, Link/Active 1 Green, Not used
Module Location	Starter module left side of G-Series system
Field Power Detection	About 14Vdc

General Specification

System Power	Supply voltage: 24Vdc nominal Supply voltage range: 15~32Vdc Protection: Output current limit (Min. 1.5A) Reverse polarity protection
Power Dissipation	70mA typical @ 24Vdc
Current for I/O Module	1.5A @ 5Vdc
Isolation	System power to internal logic: Non-isolation System power I/O driver: Isolation
Field Power	Supply voltage: 24Vdc typical (Max. 32Vdc) * Field Power Range is different depending on IO Module series. Refer to IO Module`s Specification.
Max. Current Field Power Contact	DC 10A Max.
Weight	172g
Module Size	54mm x 99mm x 70mm