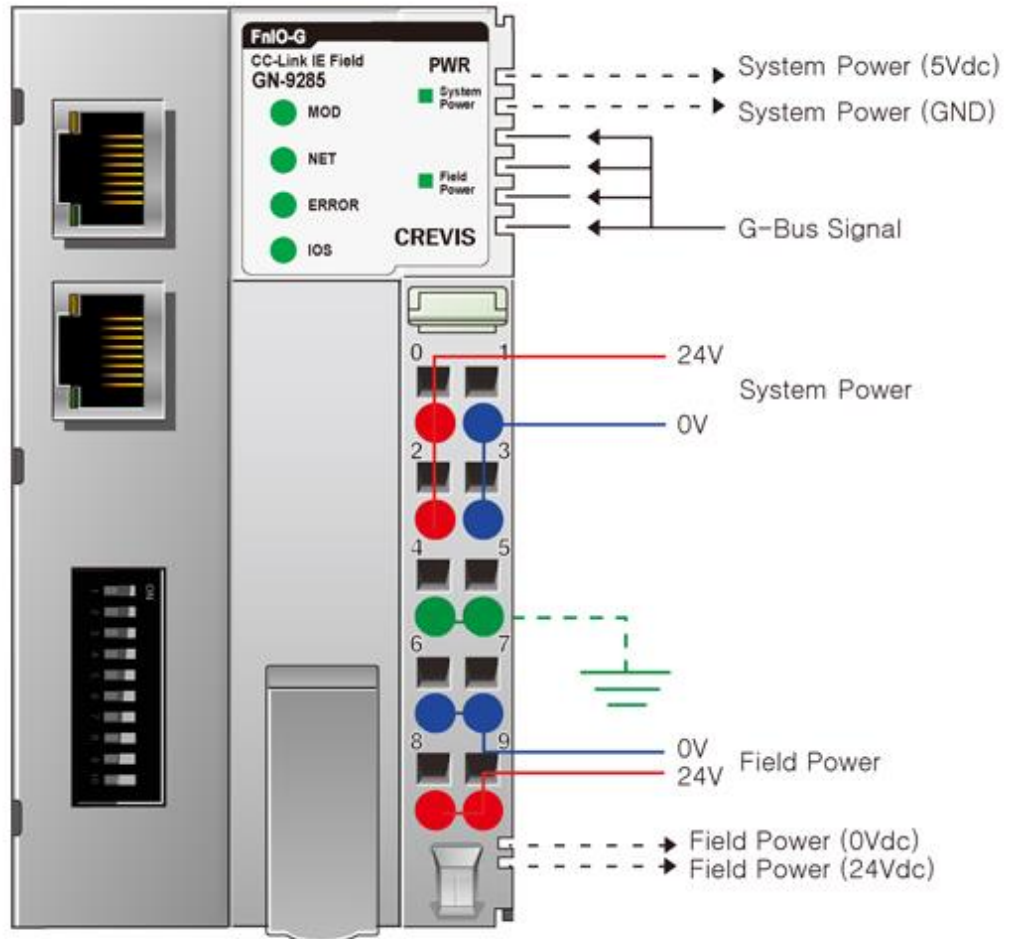


GN-9285

CC-Link IE Field Network Adapter



Interface Specification, GN-9285 (CC-Link IE Field NETWORK ADAPTER)

Adapter Type	Slave node (CC-Link IE Field Network)
Max. Expansion Module	63slots
Max. Data Size (Input + Output)	Max 128 bytes each slot
Max. Nodes number	120
Interface Connector	RJ-45 socket * 2pcs 8P8C Connector
Other Serial Port	RS232 for MODBUS/RTU, Touch Panel or IOGuide

Serial Configuration (RS232)	Node: 1 (Fixed)
	Baud Rate: 115200 (Fixed)
	Data bit: 8 (Fixed)
	Parity bit: No parity (Fixed)
	Stop bit: 1 (Fixed)
Indicator	5 LEDs
	1 Green/Red, Module Status (MOD)
	1 Green, Current Running Status (NET)
	1 Green, Error Status (ERROR)
	1 Green/Red Expansion I/O Module Status (IOS)
	1 Green, Field Power Status
	2 LEDs (each RJ45 Connector)
	1 Green, Active
	1 Yellow, Link
Module Location	Starter module left side of G-bus system
Field Power Detection	About 14Vdc
Ethernet Standard	IEEE 802.3ab(1000Base-T)
Cable	Shield copper Cable (Cat.5e)
Network Topology	Star / Line / Ring / Mixture of star and Line
Station class	Intelligent Device station
RX / RY Size	256Bytes
RWW / RWR Size	1024Bytes

General Specification

System Power	Supply voltage: 24Vdc nominal Supply voltage range: 15~32Vdc Protection: Output current limit (Min. 1.5A) Reverse polarity protection
Power Dissipation	140mA typical @ 24Vdc
Current for I/O Module	1.5A @ 5Vdc (When using in '60°C ~ 70 °C' temperature environment, the power dissipation is limited to 0.8A.)
Isolation	System power to internal logic: Non-isolation System power I/O driver: Isolation
Field Power	Supply voltage: 24Vdc typical (Max. 32Vdc) * Field Power Range is different depending on IO Module series. Refer to IO Module`s Specification.
Max. Current Field Power Contact	DC 10A Max
Weight	<165g
Module Size	54mm x 99mm x 70mm