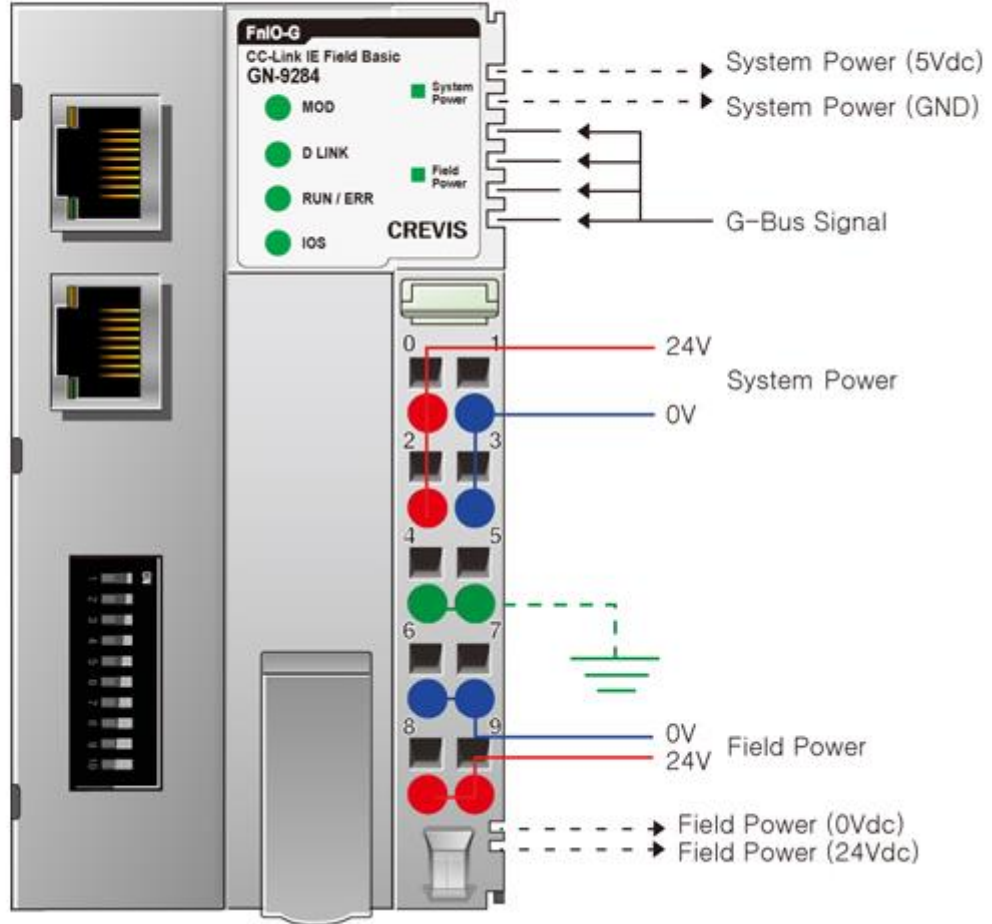


GN-9284

CC-Link IE Field Basic Network Adapter



Interface Specification, GN-9284 (CC-Link IE Field Basic Network Adapter)

Adapter Type	Slave station (CC-Link IE Field Basic Server)
Protocol	CC-Link IE Field Basic, SLMP
Sub-Protocol	MODBUS/TCP, MODBUS/UDP, HTTP, DHCP, 10 TCP Connections
Port number	61450 (CyclicData) 61451 (port number of the slave station of NodeSerch)
Max. Expantsion Module	32 slots
Number of occupied stations	1 ~ 4 stations
Max. Data Size (RX, RY)	each 32 bytes (4 Stations occupied)
Max. Data Size (RWr, Rww)	each 256 bytes (4 Stations occupied)

Max. link points per station (RX, RY)	each 64 points
Max. link points per station (RW _r , RW _w)	each 32 points
Max Length Bus Line	Up to 100m from Ethernet Hub/Switch with twisted CAT5 UTP/STP
Max. Nodes	Limited by Ethernet Specification.
Baud Rate	10/100Mbps, Auto-negotiation, Full duplex
Interface Connector	RJ-45 socket * 2pcs
IP-Address Setup	Via DHCP/BOOTP or IOGuide(Crevis Software)
IP-Address Range	xxx.xxx.xxx.1 ~ 253 (User area) xxx.xxx.xxx.254 ~ 255 (Reserved for IAP Function)
Serial Port	RS232 for MODBUS/RTU, Touch Pannel or IOGuide
Serial Configuration (RS232)	Node: 1 (Fixed) Baud Rate: 115200 (Fixed) Data bit: 8 (Fixed) Parity bit: No parity (Fixed) Stop bit: 1 (Fixed)
Indicator	6 LEDs 1 Green/Red, Module Status (MOD) 1 Green, Physical Connection (DLINK) 1 Green, Exchange Data/Traffic Present (RUN/ERR) 1 Green/Red, Expansion I/O Module Status (IOS) 1 Green, System Power Status 1 Green, Field Power Status 2 LEDs (each RJ45 Connector) 1 Yellow, Link/Active 1 Green, Not used
Module Location	Starter module left side of G-Series system
Field Power Detection	About 14Vdc

General Specification

System Power	Supply voltage: 24Vdc nominal Supply voltage range: 15~32Vdc Protection: Output current limit (Min. 1.5A) Reverse polarity protection
Power Dissipation	70mA typical @ 24Vdc
Current for I/O Module	1.5A @ 5Vdc (When using in '60°C ~ 70°C' temperature environment, the power dissipation is limited to 0.8A.)
Isolation	System power to internal logic: Non-isolation System power I/O driver: Isolation
Field Power	Supply voltage: 24Vdc typical (Max. 32Vdc) * Field Power Range is different depending on IO Module series. Refer to IO Module`s Specification.
Max. Current Field Power Contact	DC 10A Max.
Weight	162g
Module Size	54mm x 99mm x 70mm