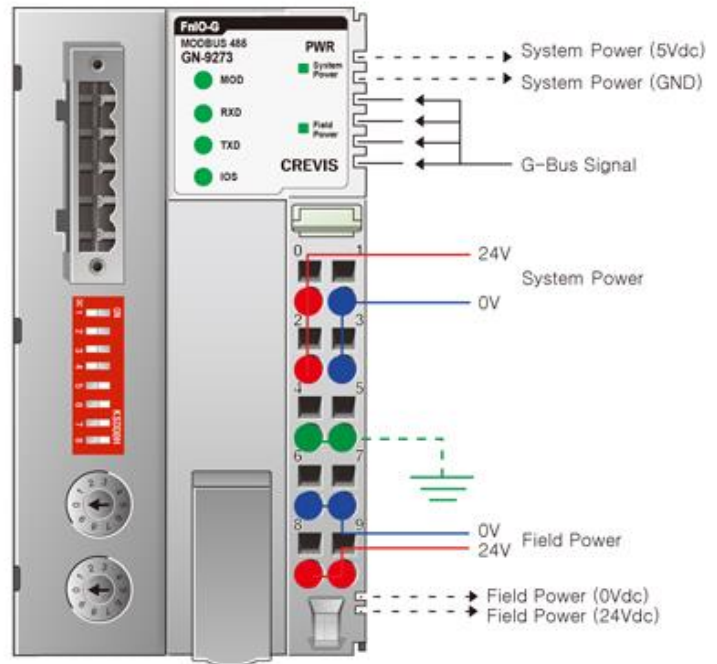
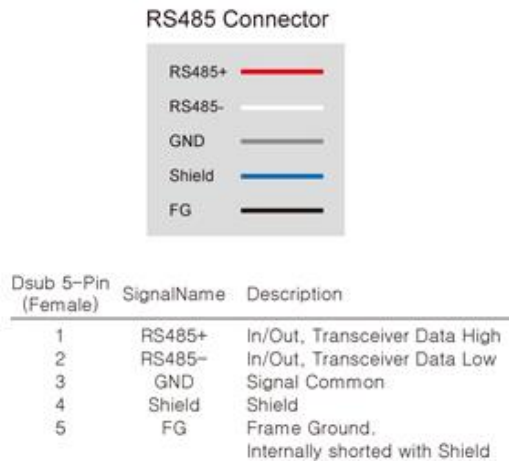


## GN-9273

MODBUS RS485 Network Adapter



### GN-9273 (MODBUS 485 ADAPTER)

Adapter Type	Slave node (MODBUS Serial RTU/ASCII Server)
Protocol	MODBUS RTU and ASCII
Max. Expansion Module	63 slots
Max. Data Size (Input + Output)	Max 128 bytes each slot
Max Length Bus Line	1200m
Max. Nodes	99 nodes
Baud Rate	1200, 2400, 4800, 9600, 19200, 38400, 57600, 115200 bps
Interface Connector	5 Pin open connector
Settable Node Address	1 ~ 99 with two rotary switches
Serial Port	RS232 for MODBUS/RTU, Touch Panel or IO-Guide

Serial Configuration (RS232)	Node: 1 (Fixed) Baud Rate: 115200 (Fixed) Data bit: 8 (Fixed) Parity bit: No parity (Fixed) Stop bit: 1 (Fixed)
Indicator	6 LEDs 1 Green/Red, Module Status (MOD) 1 Green, Receive Data (RXD) 1 Green, Transmit Data (TXD) 1 Green/Red, Expansion I/O Module Status (IOS) 1 Green, System Power Status 1 Green, Field Power Status
Module Location	Starter module left side of G-Series system
Field Power Detection	About 14Vdc
<b>General Specification</b>	
System Power	Supply voltage: 24Vdc nominal Supply voltage range: 15~32Vdc Protection: Output current limit (Min. 1.5A) Reverse polarity protection
Power Dissipation	70mA typical @ 24Vdc
Current for I/O Module	1.5A @5Vdc
Isolation	System power to internal logic: Non-isolation System power I/O driver: Isolation
Field Power	Supply voltage: 24Vdc typical (Max. 32Vdc) * Field Power Range is different depending on IO Module series. Refer to IO Module`s Specification
Max. Current Field Power Contact	DC 10A Max
Weight	162g
Module Size	54mm x 99mm x 70mm