

## CUBE67+ BUS NODE

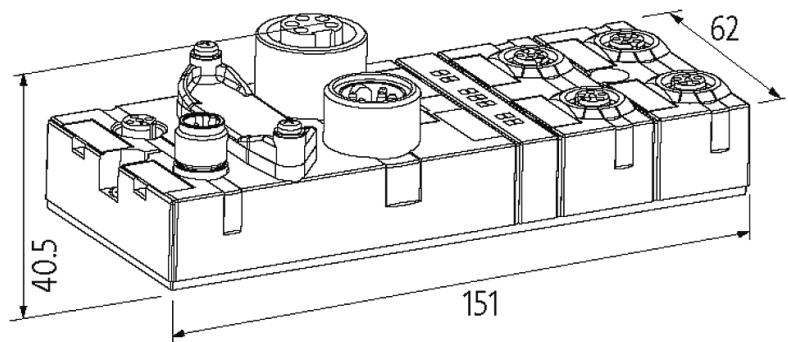
Ethernet/IP

Cube67+  
EtherNet/IP

Connection cables are in the online shop under "Connection Technology". Housing fully potted. Cube67+ modules can only be operated on Cube67+, EtherNet/IP, PROFIBUS + PROFINET bus nodes.

### [Link til artikel](#)

#### Billede



Produktet kan afvige fra billedet

#### Godkendelser



#### Mere information

EtherNet/IP

#### Connections

Fieldbus

Ethernet 10/100Mbit/s; M12, D-coded

Sensor-system/actuator supply	7/8", 5-pole, 2 × max. 8 A
Internal system connection	4 × M12 (female) A-coded, 6-pole, 2 × max. 4 A

### Module supply

Operating voltage	24 V DC (EN 61131-2)
Current consumption	max. 200 mA

### General data

Protection	IP67
Mounting method	2-hole screw mounting
Temperature range	0...+55 °C (storage temperature -20...+75 °C)
Dimensions H × W × D	151×62×40.5 mm

### EtherNet/IP

Addressing	DHCP, BOOTP or IP address by rotary switch
------------	--

### Cube system

Module capacity	max. 32
-----------------	---------

### Diagnostic

Communication status	via LED and BUS
Diagnostic via LED	per module and channel
Diagnostic via BUS	per module and channel
Monitoring - under voltage	yes
Monitoring - no voltage	yes
Short-circuit and overload	yes

### Commercial data

country of origin	DE
customs tariff number	85389099
EAN	4048879313131
eClass	27242608
Pakke-enhed	1