

## CUBE67 BUS NODES

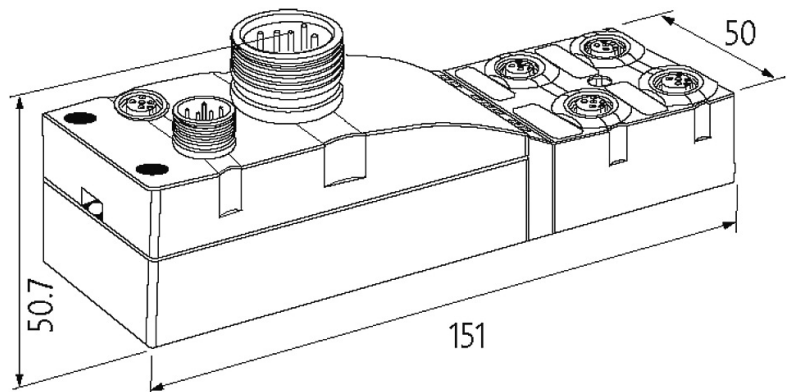
Ethernet/IP

EtherNet/IP

Connection cables are in the online shop under "Connection Technology". Housing fully potted.

### [Link til artikel](#)

#### Billede



Produktet kan afvige fra billedet

#### Godkendelser



#### Mere information

EtherNet/IP

#### Connections

Fieldbus

Ethernet 10/100Mbit/s; M12, D-coded

Sensor-system/actuator supply	7/8", 5-pole, max. 9 A
Internal system connection	M12, 6 pole; max. 4 A

#### Module supply

Operating voltage	24 V DC (EN 61131-2)
Current consumption	max. 70 mA

#### General data

Protection	IP67
Mounting method	2-hole screw mounting
Temperature range	0...+55 °C (storage temperature -20...+75 °C)
Dimensions H × W × D	151×50×50.3 mm

#### EtherNet/IP

Addressing	DHCP, BOOTP or IP address by rotary switch
------------	--

#### Cube system

Module capacity	max. 16
-----------------	---------

#### Diagnostic

Communication status	via LED and BUS
Diagnostic via LED	per module and channel
Diagnostic via BUS	per module and channel
Monitoring - under voltage	yes
Monitoring - no voltage	yes
Short-circuit and overload	yes

#### Commercial data

country of origin	DE
customs tariff number	85389099
EAN	4048879048705
eClass	27242608
Pakke-enhed	1