

## CUBE20 SYSTEM INTERFACE TO CUBE67

8 multifunction channels, Power M12 CUBE67

System connection

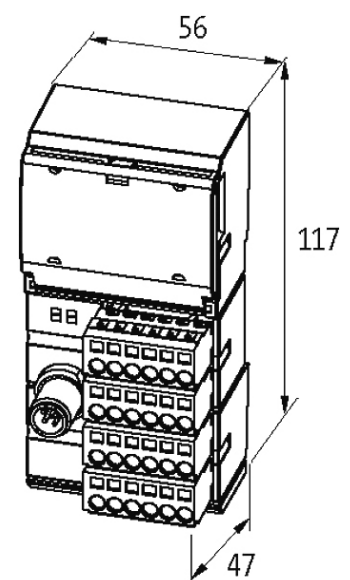
M12 Power

DIO8 - (BN) Cube67/20

Connection cables are in the online shop under "Connection Technology".

### [Link til artikel](#)

#### Billede



Produktet kan afvige fra billedet

**Godkendelser**



**Input**

Sensor supply US	24 V DC (EN 61131-2), max. 700 mA per module, short-circuit and overload protected
Type	PNP (EN 61131-2)
Input filter	1 ms
Galvanic isolation	500 V DC between I/O and system electronics

**Connections**

Fieldbus	M12 (female) 6-pole
Sensor-system/actuator supply	via internal system connection (max. 2x4 A)
I/O ports	8 x Spring clamp plug-in terminals, max. 2.5 mm <sup>2</sup>

**Module supply**

Operating voltage	24 V DC (EN 61131-2)
Current consumption	max. 100 mA

**General data**

Protection	IP20
Mounting method	DIN-rail mountable (EN 60715)
Temperature range	0...+55 °C (storage temperature -20...+85 °C)
Dimensions H x W x D	117x56x47 mm

**Cube system**

Module capacity	max. 3
-----------------	--------

**Output**

Actuator supply UA	24 V DC (EN 61131-2), max. 4 A
Galvanic isolation	500 V DC between I/O and system electronics
Switching current per output	max. 0.5 A (short-circuit and overload protected)
Lamp load	10 W

**Parameterization**

Terminal row X2 (4 channels)	Input/Output
Terminal row X3 (4 channels)	Input/Output

**Diagnostic**

Communication status	via LED
Diagnostic via LED	per module and channel (only outputs)
Diagnostic via BUS	per module and channel
Monitoring - under voltage	yes
Monitoring - no voltage	no

Short-circuit and overload                      yes

**Commercial data**

country of origin	DE
customs tariff number	85176200
EAN	4048879045582
eClass	27061801
Pakke-enhed	1