

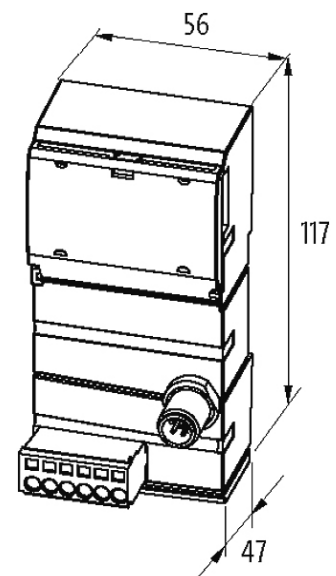
CUBE20/67 INTERFACE

Cube20/67 system connection

Connection cables are in the online shop under "Connection Technology".

[Link til artikel](#)

Billede



Produktet kan afvige fra billedet

Godkendelser



Connections

Fieldbus	M12 (female) 6-pole
Sensor-system/actuator supply	4 × Spring clamp plug-in terminals, max. 2.5 mm ² (max. 12 A)
I/O ports	8 × Spring clamp plug-in terminals, max. 2.5 mm ²

Module supply

Operating voltage	24 V DC (EN 61131-2)
Current consumption	max. 25 mA

General data

Protection	IP20
Mounting method	DIN-rail mountable (EN 60715)
Temperature range	0...+55 °C (storage temperature -20...+85 °C)
Dimensions H × W × D	117×56×47 mm

Cube system

Module capacity	max. 15
Sensor supply US	24 V DC (18...30.2 V DC) EN 61131-2, max. 4 A
Actuator supply UA	24 V DC (18...30.2 V DC) EN 61131-2, max. 4 A

Diagnostic

Communication status	via LED
----------------------	---------

Commercial data

country of origin	DE
customs tariff number	85176200
EAN	4048879049269
eClass	27379201
Pakke-enhed	1